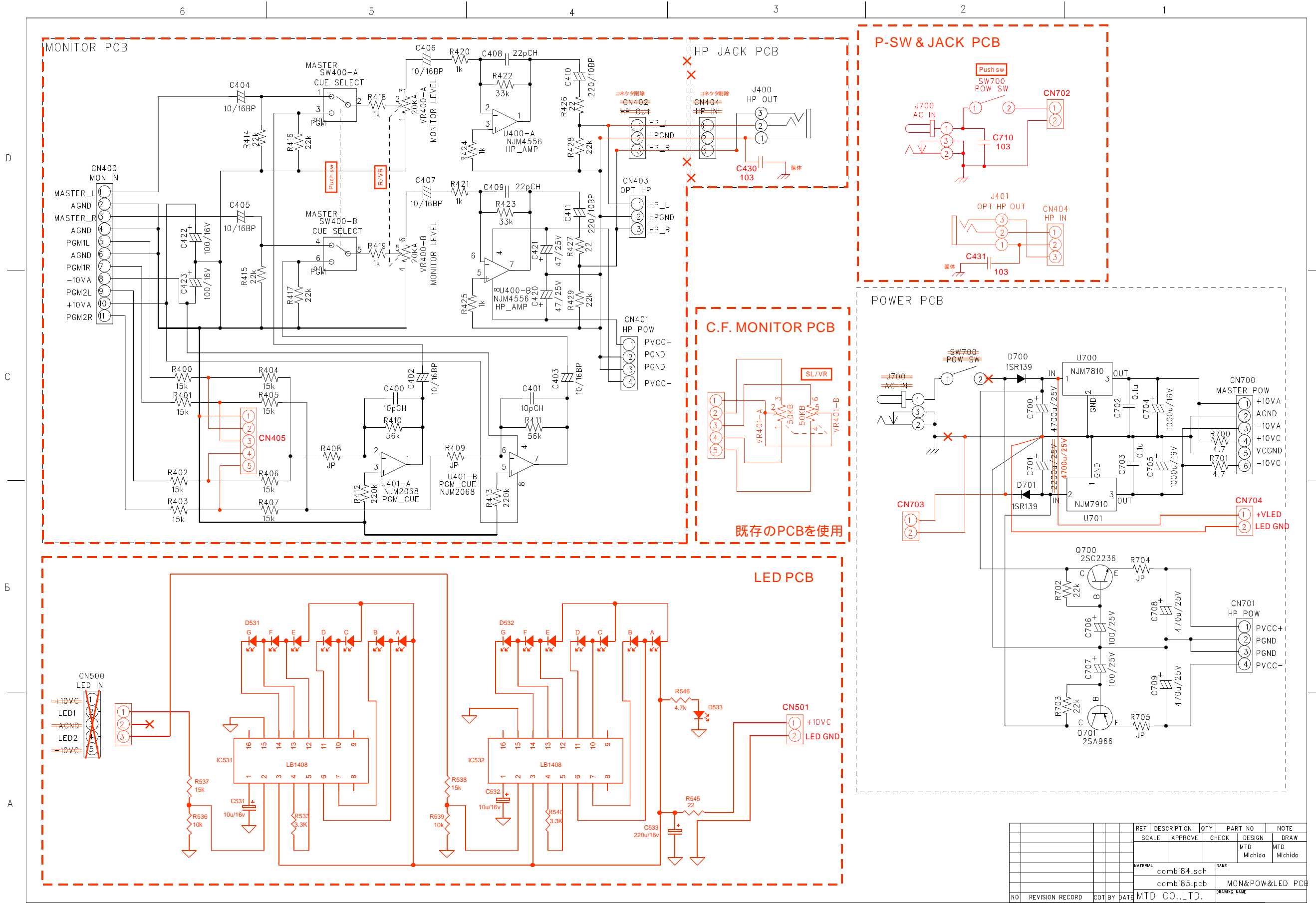


MIC PCB 削除

REF	DESCRIPTION	QTY	PART NO	NOTE
	SCALE	APPROVE	CHECK	DESIGN
			MTD	MTD
			Michida	Michida
MATERIAL		NAME		
combi83.sch				
combi84.pcb		MASTER & MIC PCB		
DRAWING NAME				
NO	REVISION RECORD	COT	BY	DATE
			MTD	CO.,LTD.
				2004.8.23

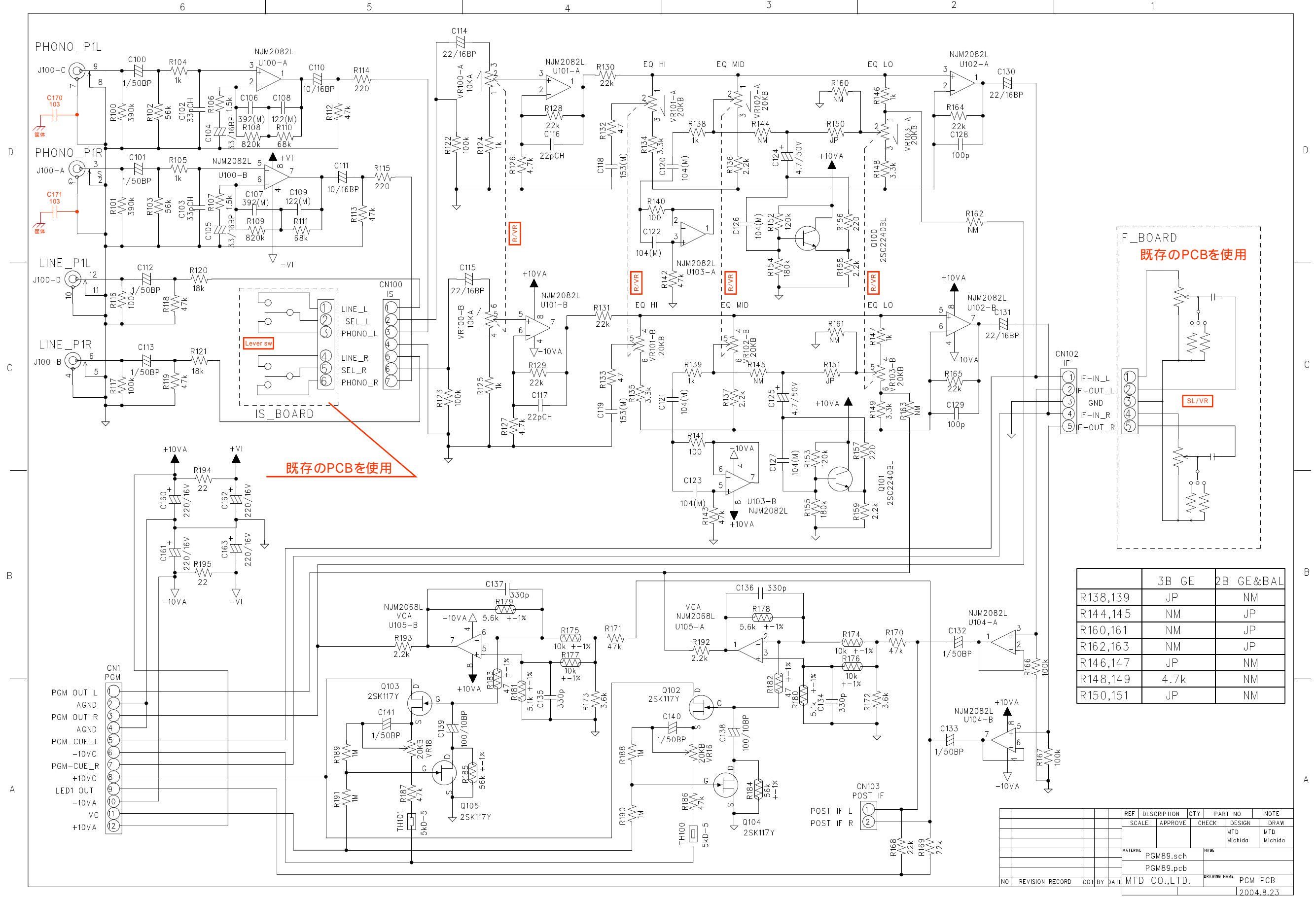


既存のPCBを使用

LED PCB

REF	DESCRIPTION	QTY	PART NO	NOTE
	SCALE	APPROVE	CHECK	DESIGN
			MTD	MTD
			Michida	Michida
MATERIAL: combi84.sch				NAME
combi85.pcb				MON&POW&LED PCB
NO REVISION RECORD				DATE
MTD CO.,LTD.				DRAWING NAME
				2004.8.23

PGM PCBはPMC-05ProVCAの基板を使用



	3B GE	2B GE&BAL
R138,139	JP	NM
R144,145	NM	JP
R160,161	NM	JP
R162,163	NM	JP
R146,147	JP	NM
R148,149	4.7k	NM
R150,151	JP	NM

REF	DESCRIPTION	QTY	PART NO	NOTE
	SCALE		APPROVE	CHECK
			DESIGN	DRAW
			MTD	MTD
			Michida	Michida
MATERIAL			NAME	
PGM89.sch				
PGM89.pcb				
NO			REVISION RECORD	COT BY DATE
			MTD CO.,LTD.	PGM PCB
				2004.8.23