



Professional Mixing Controller

# *PMC-05 Pro III* **VCA**

**SERVICE MANUAL**

## Vestax Corporation

---

**Vestax Corporation**

1-18-6 Wakabayashi, Setagaya-ku, Tokyo 154-0023 Japan  
Phone 03-3412-7011 Fax 03-3412-7013  
Web : [www.vestax.com](http://www.vestax.com)

**Vestax (Europe) Ltd.**

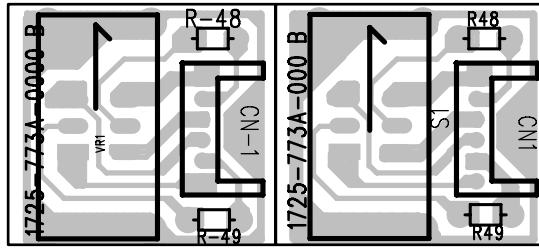
Unit 5 Riverway Industrial Park Alton Hampshire GU34 2QL England, U.K.  
Phone (0)1420-83000 Fax (0)1420-80040  
Web : [www.vestax.co.uk](http://www.vestax.co.uk)

**Vestax Europe Technical Support**

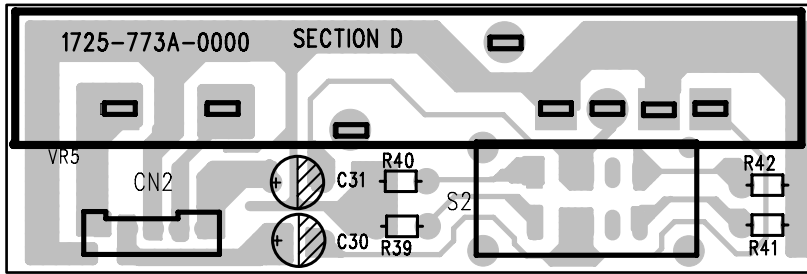
Rheinstr.213 D-53332 Bornheim Germany  
Phone 49(0)2222-95-23-72 Fax 49(0)2222-95-23-74

# PCB LAYOUT

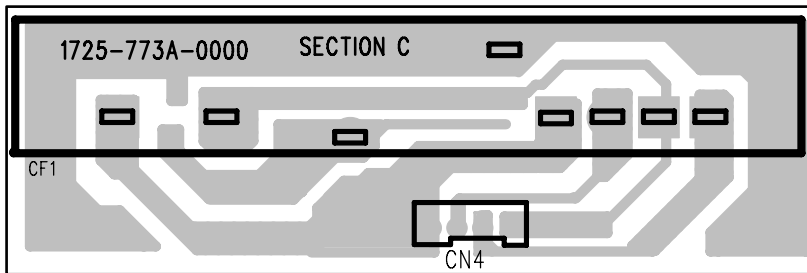
IS Board



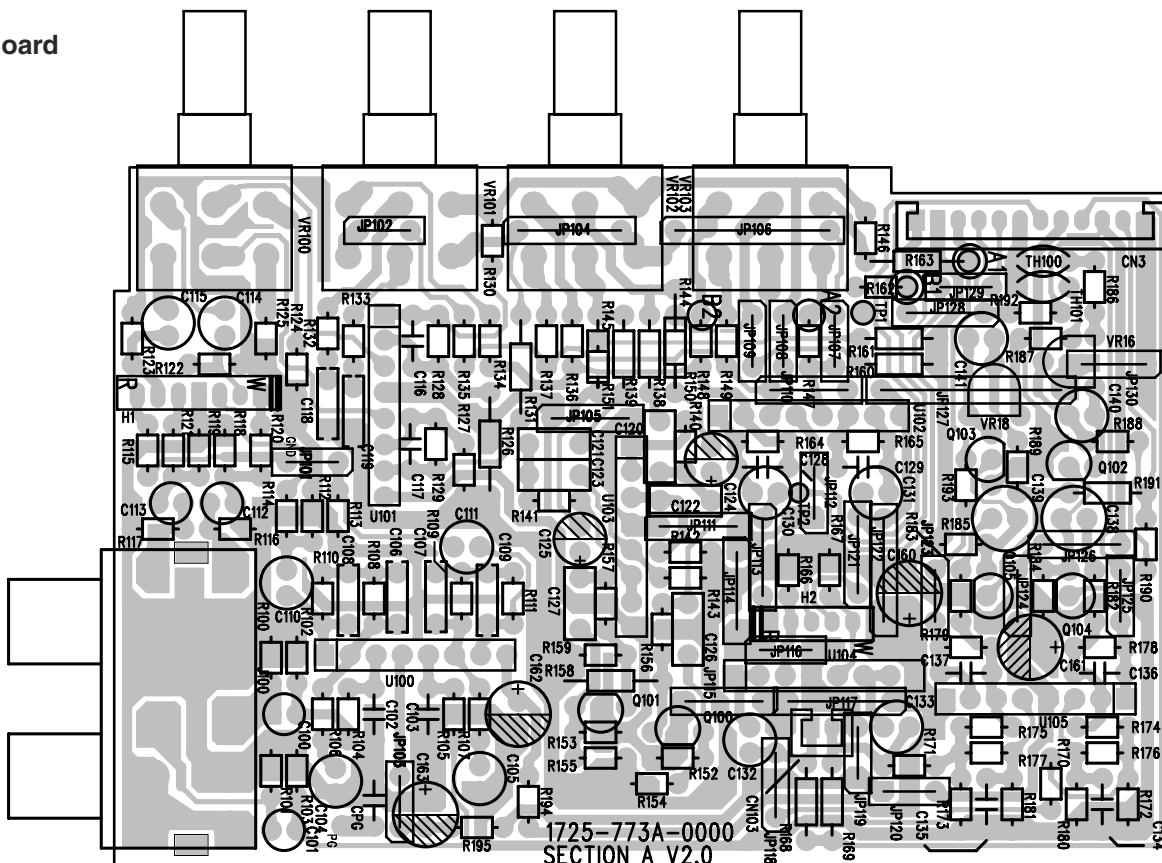
IF Board



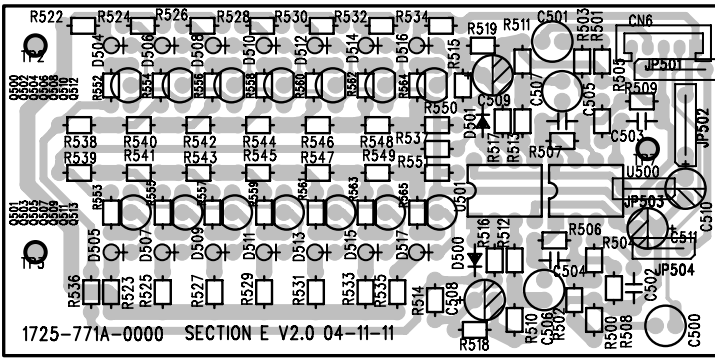
CF Board



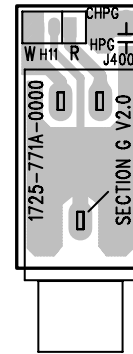
PGM Board



LED Board



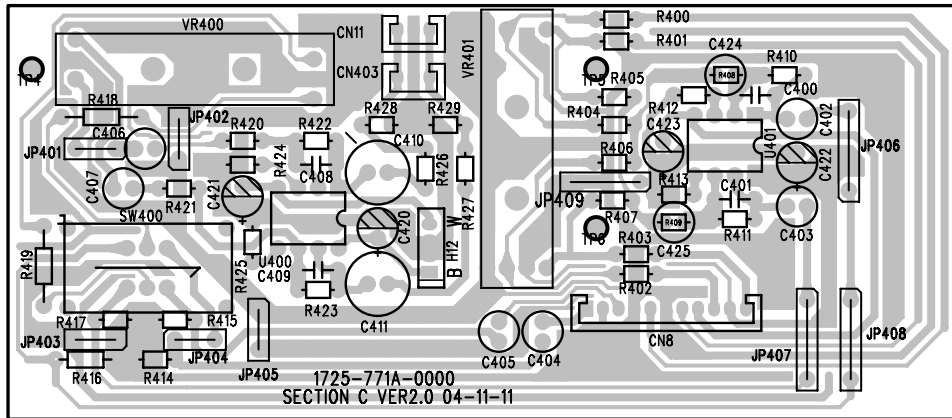
PHONE Board



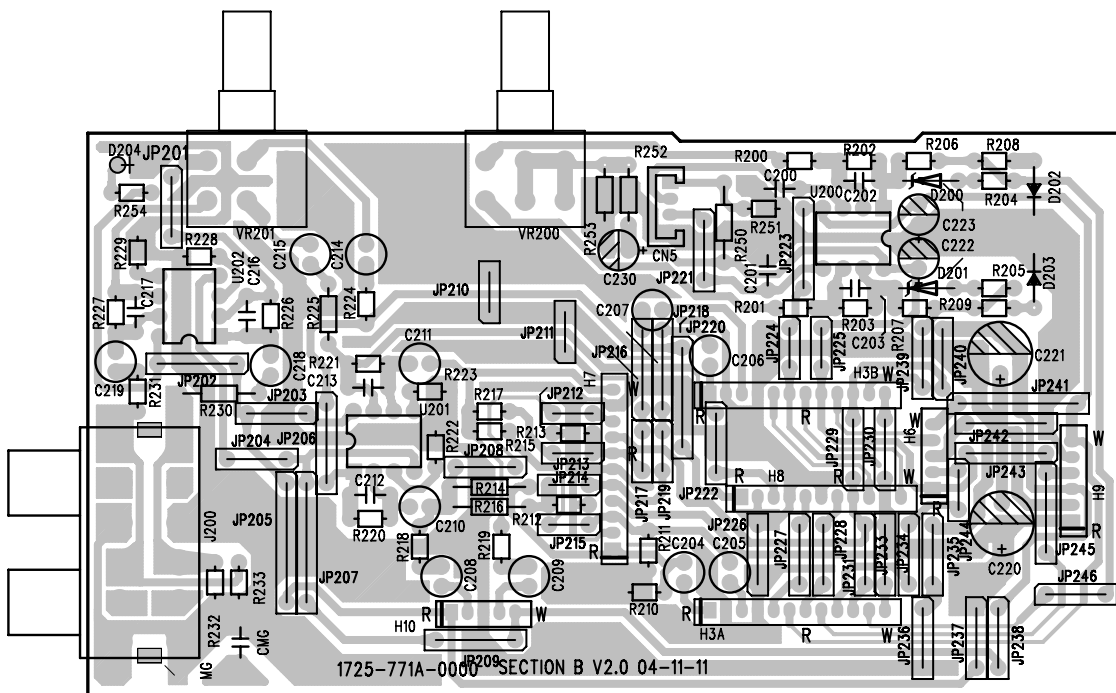
SW Board



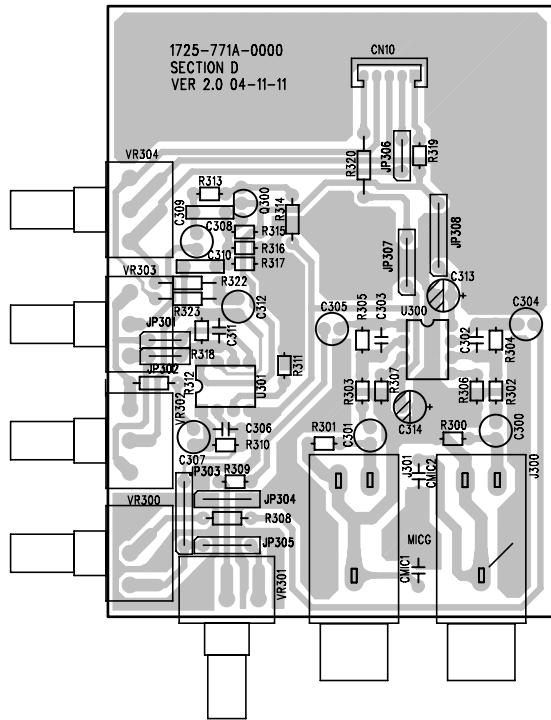
MONITOR Board



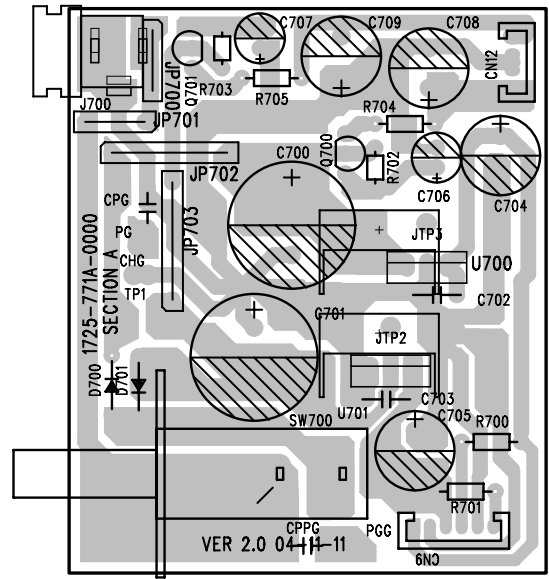
MAIN Board



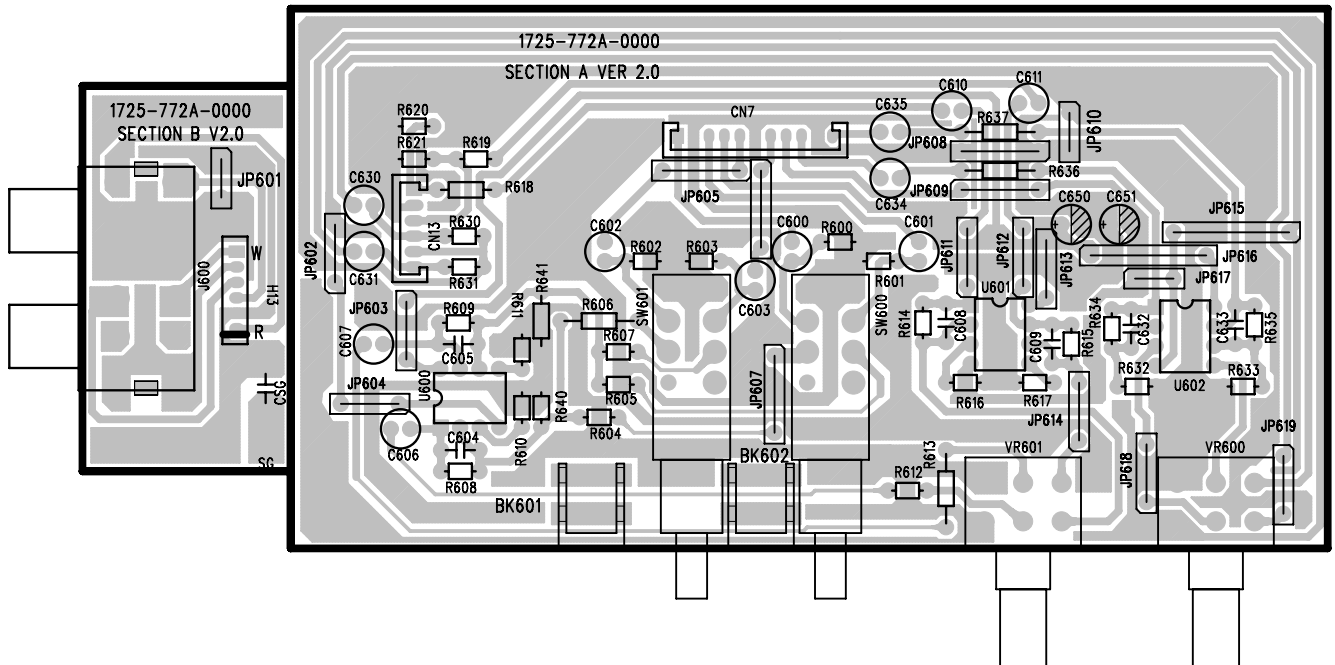
**MIC Board**



**POWER Board**

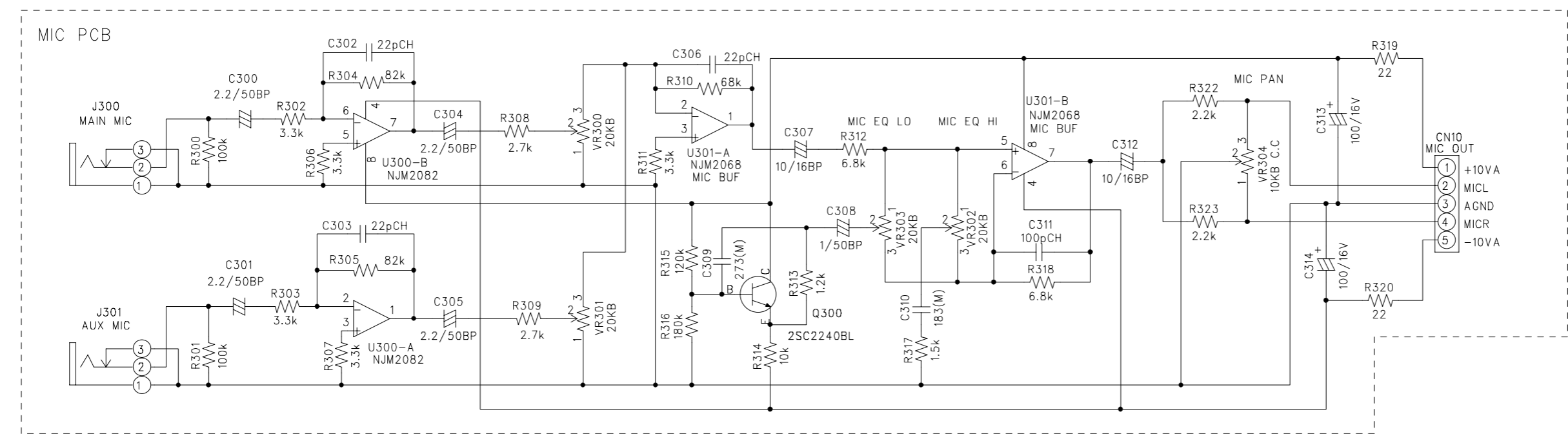
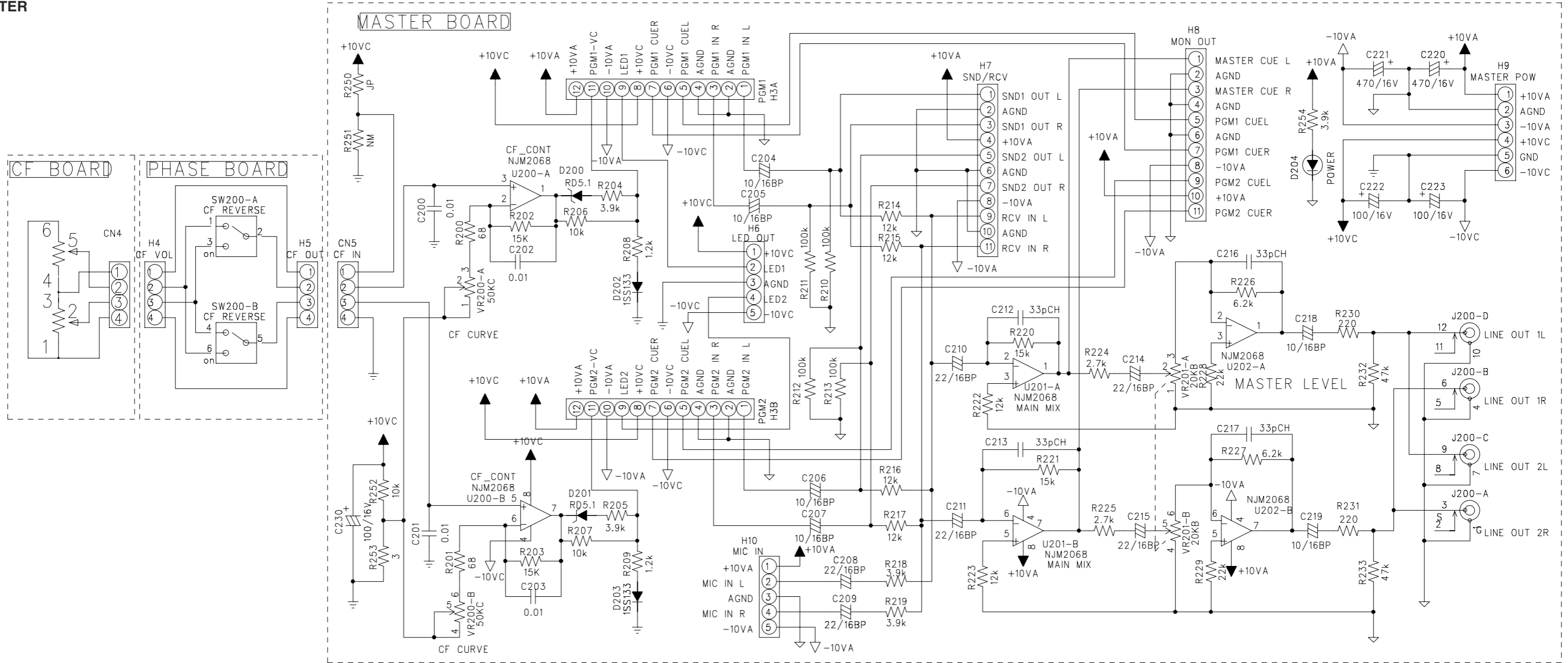


**SEND Board**

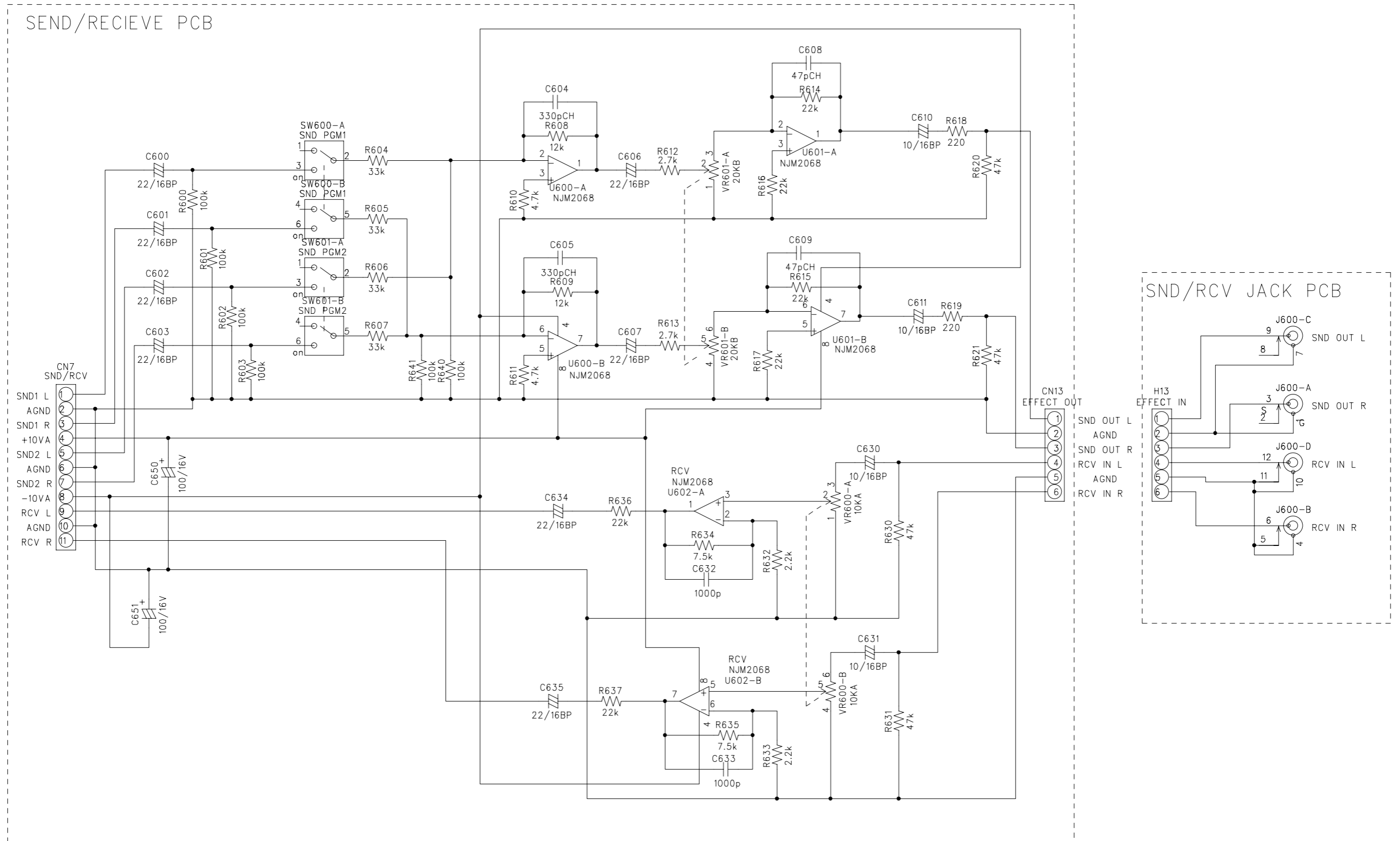


# SCHEMATIC DIAGRAM

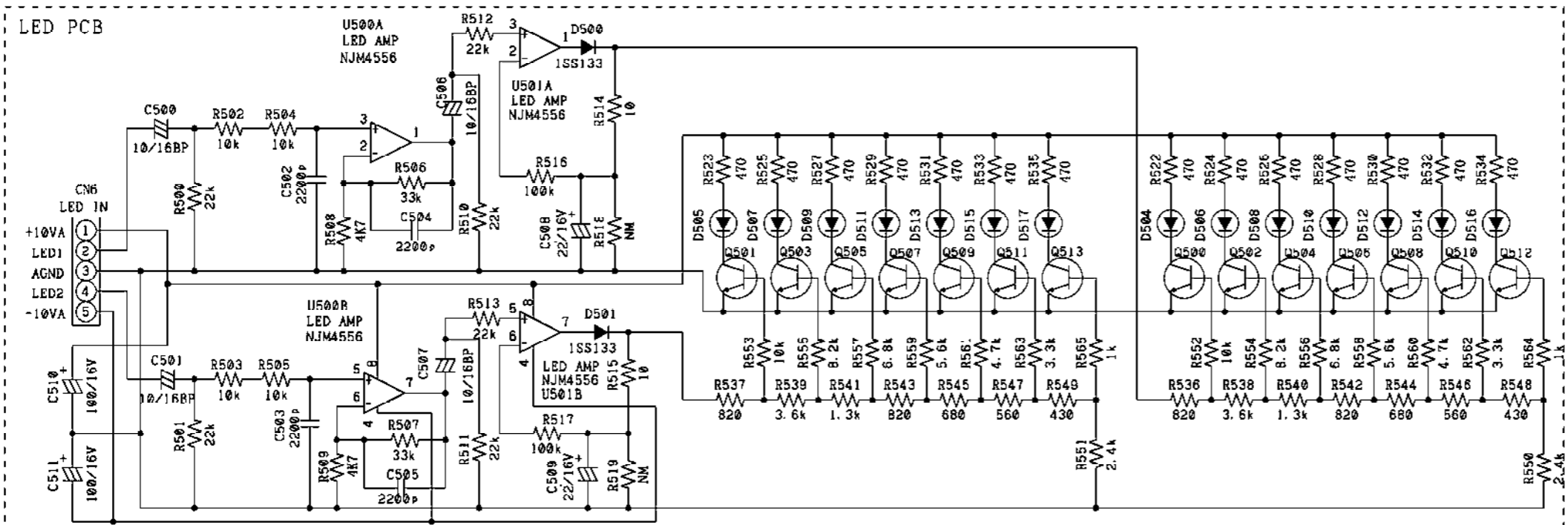
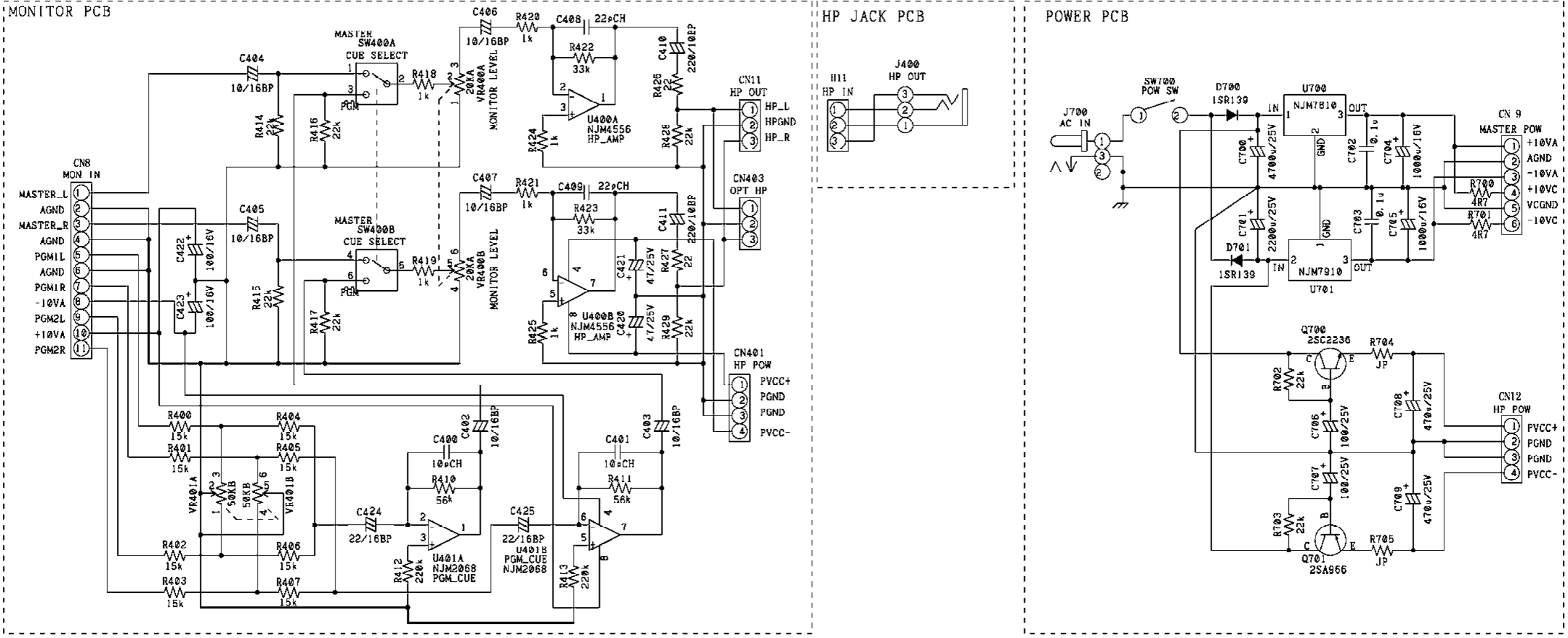
## MASTER

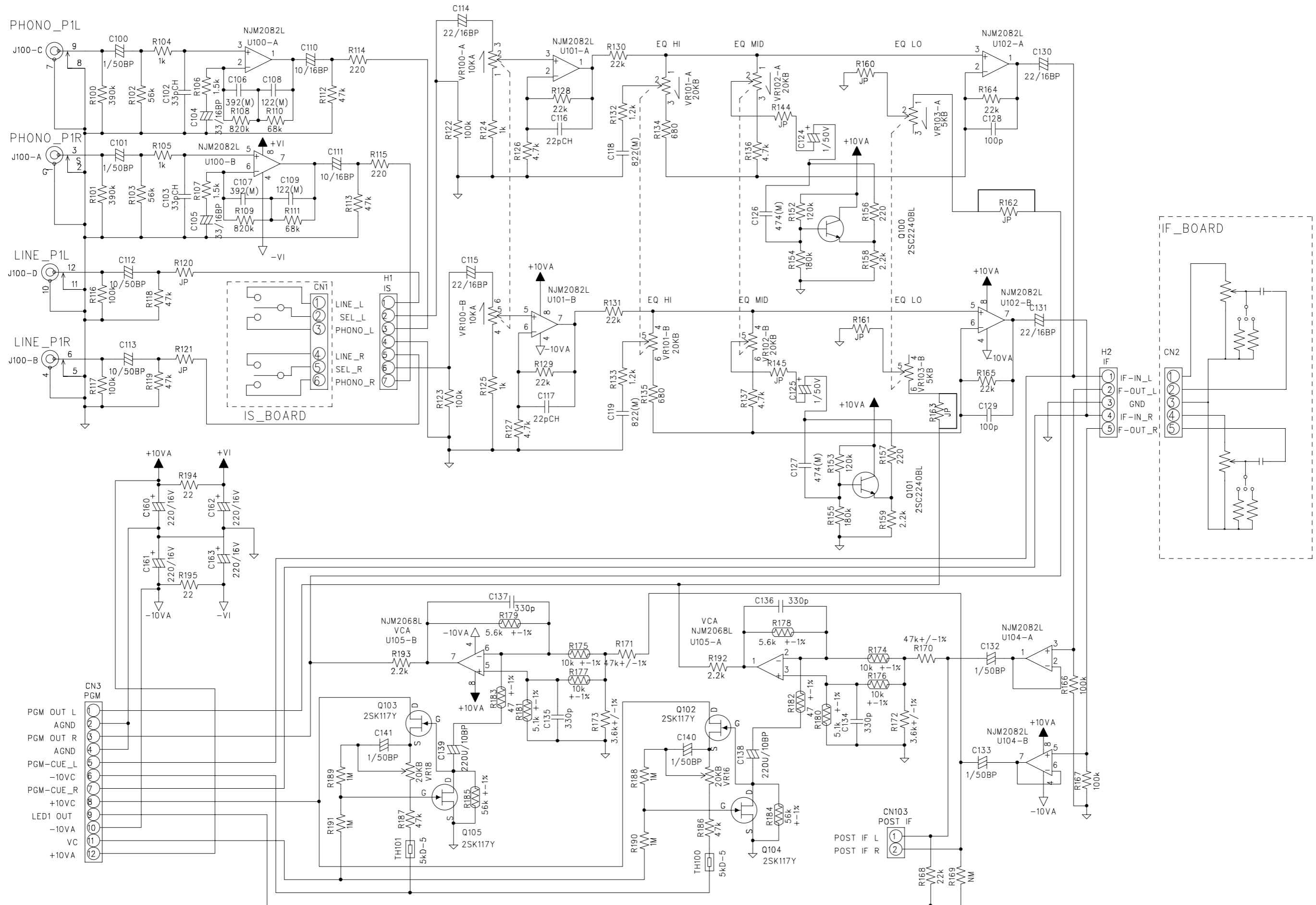


SEND



MONITOR / LED / POWER







## ELECTRICAL PART LIST

<b>Location</b>	<b>Part Number</b>	<b>Description</b>
<b>CF ASSY</b>		
<b>PC BOARD</b>		
	PCB-V04A1C-CF	PCB ASSY CF V04A0C MK2
<b>PCB</b>		
PCB	1725-773A-0000	PCB PHONO BOARD
<b>WAFER</b>		
CN4	2101-1851-0	WAFER 4 PIN P=2.54
<b>VR</b>		
CF1	4750-9920-3	VR SFV-03N B50K YSE
<b>IF ASSY</b>		
<b>PC BOARD</b>		
	PCB-V04A1C-IF	PCB ASSY IF V04A0C MK2
<b>PCB</b>		
PCB	1725-773A-0000	PCB PHONO BOARD
<b>CAPACITOR</b>		
C30, C31	157F-105M-K-GME	CE 50V 1U 20% RLT 4X7
<b>WAFER</b>		
CN2	2101-1861-0	WAFER 5 PIN P=2.54
<b>RESISTOR</b>		
R39, R40	4705-222J-C	RCF 1/4W 2.2K 5% ATS
R41, R42	4705-472J-C	RCF 1/4W 4.7K 5% ATS
<b>SWITCH</b>		
S2	5200-3670-0	2P3T TOGGLE SWITCH, IF,
<b>VR</b>		
VR5	4750-9920-3	VR SFV-03N B50K YSE
<b>IS ASSY</b>		
<b>PC BOARD</b>		
	PCB-V04A1C-IS	PCB ASSY IS V04A0C MK2
<b>PCB</b>		
PCB	1725-773A-0000	PCB PHONO BOARD
<b>WAFER</b>		
CN1	2102-060R-003	WAFER 6 PIN P2.0
<b>RESISTOR</b>		
R48, R49	4705-471J-C	RCF 1/4W 470R 5% ATS

<b>Location</b>	<b>Part Number</b>	<b>Description</b>
<b>SWITCH</b>		
S1	5200-4872-0	TOGGLE SW AS-610F-XX-A02
<b>LED ASSY</b>		
PC BOARD	PCB-V04A1C-LED	PCB ASSY LED V04A0C MK2
<b>PCB</b>		
PCB	1725-771A-0000	PCB MASTER/MIC/POWER/
<b>CAPACITOR</b>		
C500, C501, C506, C507	157D-106M-H-GMNE	CE 16V 10U 20% RLR 4X7
C502, C503, C504, C505	150F-222K-K-II	CC 50V 2200P 10% RLT 5X5
C508, C509	157D-226M-H-GME	CE 16V 22U 20% RLR 4X7EL
C510, C511	157D-107M-H-LME	CE 16V 100UF 20% RLR 6.5
<b>WAFER</b>		
CN6	2102-050S-003	5P ST. WAFER P=2.0
<b>LED</b>		
D504, D505, D506, D507, D508, D509, D510, D511	3700-4528-G	LED GREEN COLOR (WHITE
D512, D513, D514, D515, D516, D517	3700-4527-R	LED RED COLOR (WHITE
<b>DIODE</b>		
D500, D501	4840-0990-2	DIODE 1SS133T-72 AT ROHM
<b>TRANSISTOR</b>		
Q500, Q501, Q502, Q503, Q504, Q505, Q506, Q507, Q508, Q509, Q510, Q511, Q512, Q513	4860-0700-K	TR 2SC1815 (G.R) RLT
<b>RESISTOR</b>		
R500, R501	4705-223J-C	RCF 1/4W 22K 5% ATS
R502, R503, R504, R505,	4705-103J-C	RCF 1/4W 10K 5% ATS
R506, R507	4705-333J-C	RCF 1/4W 33K 5% ATS
R508, R509	4705-472J-C	RCF 1/4W 4.7K 5% ATS
R510, R511, R512, R513	4705-223J-C	RCF 1/4W 22K 5% ATS
R514, R515	4705-100J-C	RCF 1/4W 10R 5% ATS
R516, R517	4705-104J-C	RCF 1/4W 100K 5% ATS
R522, R523, R524, R525, R526, R527, R528, R529, R530, R531, R532, R533, R534, R535	4705-471J-C	RCF 1/4W 470R 5% ATS
R536, R537	4705-821J-C	RCF 1/4W 820R 5% ATS
R538, R539	4705-362J-C	RCF 1/4W 3.6K 5% ATS
R540, R541	4705-132J-C	RCF 1/4W 1.3K 5% ATS
R542, R543	4705-821J-C	RCF 1/4W 820R 5% ATS
R544, R545	4705-681J-C	RCF 1/4W 680R 5% ATS
R546, R547	4705-561J-C	RCF 1/4W 560R 5% ATS
R548, R549	4705-431J-C	RCF 1/4W 430R 5% ATS
R550, R551	4705-242J-C	RCF 1/4W 2.4K 5% ATS
R552, R553	4705-103J-C	RCF 1/4W 10K 5% ATS

<b>Location</b>	<b>Part Number</b>	<b>Description</b>
R554, R555	4705-822J-C	RCF 1/4W 8.2K 5% ATS
R556, R557	4705-682J-C	RCF 1/4W 6.8K 5% ATS
R558, R559	4705-562J-C	RCF 1/4W 5.6K 5% ATS
R560, R561	4705-472J-C	RCF 1/4W 4.7K 5% ATS
R562, R563	4705-332J-C	RCF 1/4W 3.3K 5% ATS
R564, R565	4705-102J-C	RCF 1/4W 1K 5% ATS
<b>IC</b>		
U500, U501	3130-4100-1	IC NJM4556AD DUAL OP AMP
<b>MAIN ASSY</b>		
<b>PC BOARD</b>		
	PCB-V04A1C-MAIN	PCB ASSY MAIN V04A0C MK2
<b>PCB</b>		
PCB	1725-771A-0000	PCB MASTER/MIC/POWER/
<b>CAPACITOR</b>		
C200, C201, C202, C203, CMG	150F-103K-K-II	CC 50V 0.01U 10% RLT 5x5
C204, C205, C206, C207,	157D-106M-H-GMNE	CE 16V 10U 20% RLR 4X7
C208, C209, C210, C211,	157D-226M-H-LMNE	CE 16V 22U 20% RLR 6.3X7
C212, C213, C216, C217	150F-330K-K-GG	CC 50V 33P 10% RLT 4x4
C214, C215	157D-226M-H-LMNE	CE 16V 22U 20% RLR 6.3X7
C218, C219	157D-106M-H-GMNE	CE 16V 10U 20% RLR 4X7
C220, C221	157D-477M-K-OVE	CE 16V 470U 20% RLT
C222, C223, C230	157D-107M-H-LME	CE 16V 100UF 20% RLR 6.5
<b>WAFER</b>		
CN5	2102-040S-003	WAFER 4P P2.0 STRAIGHT
<b>LED</b>		
D204	3700-1530-R	LED SC 3.1X3.8 L0.4RD
<b>DIODE</b>		
D200, D201	4837-5V16-2	DZ 1/2W 5.1V "TEMIC" AT
D202, D203	4840-0990-2	DIODE 1SS133T-72 AT ROHM
<b>WIRE</b>		
H9	7012-6947-0	CONN WIRE ASSY 6PIN
H10, H6	7012-6948-0	CONN WIRE ASSY 5PIN
H7, H8	7012-6949-0	CONN WIRE ASSY 11PIN
H3A	7012-6951-0	CONN WIRE ASSY 12PIN
H3B	7012-6952-0	CONN WIRE ASSY 12PIN
<b>JACK</b>		
J200	2113-1739-0	RCA JACK 4PIN W/SW BLACK
<b>RESISTOR</b>		
R200, R201	4711-680A-2	RMF 1/8W 68R 1% AT

<b>Location</b>	<b>Part Number</b>	<b>Description</b>
R202, R203	4705-153J-C	RCF 1/4W 15K 5% ATS
R204, R205	4705-392J-C	RCF 1/4W 3.9K 5% ATS
R206, R207	4705-103J-C	RCF 1/4W 10K 5% ATS
R208, R209	4705-122J-C	RCF 1/4W 1.2K 5% ATS
R210, R211, R212, R213	4705-104J-C	RCF 1/4W 100K 5% ATS
R214, R215, R216, R217,	4705-123J-C	RCF 1/4W 12K 5% ATS
R218, R219,	4705-392J-C	RCF 1/4W 3.9K 5% ATS
R220, R221	4705-153J-C	RCF 1/4W 15K 5% ATS
R222, R223	4705-123J-C	RCF 1/4W 12K 5% ATS
R224, R225	4705-272J-C	RCF 1/4W 2.7K 5% ATS
R226, R227	4705-622J-C	RCF 1/4W 6.2K 5% ATS
R228, R229	4705-223J-C	RCF 1/4W 22K 5% ATS
R230, R231	4705-221J-C	RCF 1/4W 220R 5% ATS
R232, R233	4705-473J-C	RCF 1/4W 47K 5% ATS
R252	4705-103J-C	RCF 1/4W 10K 5% ATS
R254	4705-392J-C	RCF 1/4W 3.9K 5% ATS
R253	4705-3R0J-C	RCF 1/4W 3R 5% ATS
<b>IC</b>		
U200, U201, U202	3130-3660-0	IC NJM2068D DUAL LN-OP
<b>VR</b>		
VR201	4750-6106-0	VR RK16312A 20KBX2
VR200	4751-1036-0	VR 50KCX2 ALPS
<b>MIC ASSY</b>		
<b>PC BOARD</b>		
	PCB-V04A1C-MIC	PCB ASSY MIC V04A0C MK2
<b>PCB</b>		
PCB	1725-771A-0000	PCB MASTER/MIC/POWER/
<b>CAPACITOR</b>		
C300, C301, C304, C305	157F-225M-H-GMNE	CE 50V 2.2U 20% RLR 4X7
C302, C303, C306	150F-220J-K-IF	CC 50V 22P 5% RLT 5x3.5
C307, C312	157D-106M-H-GMNE	CE 16V 10U 20% RLR 4X7
C308	157F-105M-H-IMNE	CE 50V 1U 20% RLR 5X7 BP
C309	153F-273J-K-IOF	CM 50V 0.027U 5% RLT
C310	153F-183J-K-IOF	CM 50V 0.018UF 5% RLT
C311	150F-101K-K-IF	CC 50V 100P 10% RLT 5x3.
C313, C314	157D-107M-H-LME	CE 16V 100UF 20% RLR 6.5
CMIC1, CMIC2	150F-103K-K-II	CC 50V 0.01U 10% RLT 5x5
<b>WAFER</b>		
CN10	2102-050S-003	5P ST. WAFER P=2.0
<b>JACK</b>		
J300, J301	2103-9700-0	PHONE JACK D6.3

<b>Location</b>	<b>Part Number</b>	<b>Description</b>
<b>TRANSISTOR</b>		
Q300	4860-2530-K	TR 2SC2240BL RLT
<b>RESISTOR</b>		
R300, R301	4705-104J-C	RCF 1/4W 100K 5% ATS
R302, R303, R306, R307,	4705-332J-C	RCF 1/4W 3.3K 5% ATS
R304, R305	4705-823J-C	RCF 1/4W 82K 5% ATS
R308, R309	4705-272J-C	RCF 1/4W 2.7K 5% ATS
R310	4705-683J-C	RCF 1/4W 68K 5% ATS
R311	4705-332J-C	RCF 1/4W 3.3K 5% ATS
R312, R318	4705-682J-C	RCF 1/4W 6.8K 5% ATS
R313	4705-122J-C	RCF 1/4W 1.2K 5% ATS
R314	4705-103J-C	RCF 1/4W 10K 5% ATS
R315	4705-124J-C	RCF 1/4W 120K 5% ATS
R316	4705-184J-C	RCF 1/4W 180K 5% ATS
R317	4705-152J-C	RCF 1/4W 1.5K 5% ATS
R319, R320	4705-220J-C	RCF 1/4W 22R 5% ATS
R322, R323	4705-222J-C	RCF 1/4W 2.2K 5% ATS
<b>IC</b>		
U301	3130-3660-0	IC NJM2068D DUAL LN-OP
U300	3130-6680-0	IC NJM2082D DUAL J-FET
<b>VR</b>		
VR300, VR301, VR302, VR303	4750-5716-0	VR 20KB RK16311 ALPS
VR304	4750-5796-0	VR 10KB CC RK16311 ALPS
<b>MON ASSY</b>		
<b>PC BOARD</b>		
	PCB-V04A1C-MON	PCB ASSY MON V04A0C MK2
<b>PCB</b>		
PCB	1725-771A-0000	PCB MASTER/MIC/POWER/
<b>CAPACITOR</b>		
C400, C401	150F-100J-K-II	CC 50V 10P 5% RLT 5x5
C402, C403, C404, C405, C406, C407	157D-106M-H-GMNE	CE 16V 10U 20% RLR 4X7
C408, C409	150F-220J-K-IF	CC 50V 22P 5% RLT 5x3.5
C410, C411	157C-227M-K-OVNE	CE 10V 220U 20% RLT 8X11
C420, C421	157E-476M-H-LME	CE 25V 47U 20% RLR 6.5X7
C422, C423	157D-107M-H-LME	CE 16V 100UF 20% RLR 6.5
C424, C425	157D-226M-H-LMNE	CE 16V 22U 20% RLR 6.3X7
<b>WAFER</b>		
CN11, CN403	2102-030S-003	3P ST.WAFER P=2.0
CN8	2102-110S-003	11P ST WAFER P=2.0
<b>WIRE</b>		
H12	7012-6866-0	CONN WIRE ASSY 4PIN

<b>Location</b>	<b>Part Number</b>	<b>Description</b>
<b>RESISTOR</b>		
R400, R401, R402, R403, R404, R405, R406, R407	4705-153J-C	RCF 1/4W 15K 5% ATS
R410, R411	4705-333J-C	RCF 1/4W 33K 5% ATS
R412, R413	4705-224J-C	RCF 1/4W 220K 5% ATS
R414, R415, R416, R417,	4705-223J-C	RCF 1/4W 22K 5% ATS
R418, R419, R420, R421,	4705-102J-C	RCF 1/4W 1K 5% ATS
R422, R423	4705-333J-C	RCF 1/4W 33K 5% ATS
R424, R425	4705-102J-C	RCF 1/4W 1K 5% ATS
R426, R427	4705-220J-C	RCF 1/4W 22R 5% ATS
R428, R429	4705-223J-C	RCF 1/4W 22K 5% ATS
<b>IC</b>		
U400	3130-4100-1	IC NJM4556AD DUAL OP AMP
U401	3130-3660-0	IC NJM2068D DUAL LN-OP
<b>SWITCH</b>		
SW400	5200-3515-0	TOGGLE SWICHTH LBC22B-12K
<b>VR</b>		
VR400	4750-5840-0	VR RS20112A 20KAx2
VR401	4751-0976-0	VR RS20112A6 50KBX2 L=20
<b>PGM ASSY</b>		
<b>PC BOARD</b>		
	PCB-V04A1C-PGM	PCB ASSY PGM V04A0C MK2
<b>PCB</b>		
PCB	1725-773A-0000	PCB PHONO BOARD
<b>CAPACITOR</b>		
C100, C101, C132, C133,	157F-105M-H-IMNE	CE 50V 1U 20% RLR 5X7 BP
C102, C103	150F-330K-K-GG	CC 50V 33P 10% RLT 4x4
C104, C105	157D-336M-H-IUNE	CE 16V 33U 20% RLR 5X11
C106, C107	153F-392J-K-IMF	CM 50V 3900PF 5% RLT 5X7
C108, C109	153F-122J-K-IMF	CM 50V 1200P 5% RLT 5X7
C110, C111, C112, C113	157D-106M-H-GMNE	CE 16V 10U 20% RLR 4X7
C114, C115, C130, C131	157D-226M-H-LMNE	CE 16V 22U 20% RLR 6.3X7
C116, C117	150F-220J-K-IF	CC 50V 22P 5% RLT 5x3.5
C118, C119	153F-822J-K-IMF	CM 50V 8200P 5% RLT 5X7
C124, C125	157F-105M-H-GME	CE 50V 1U 20% RLR 4X7 EL
C126, C127	150F-474M-K-II	CC 50V 0.47U 20% RLT 5X5
C128, C129	150F-101K-K-IF	CC 50V 100P 10% RLT 5x3.
C134, C135, C136, C137	150F-331K-K-IE	CC 50V 330P 10% RLT 5X3
C138, C139	157C-227M-K-OVNE	CE 10V 220U 20% RLT 8X11
C140, C141	157F-105M-H-IMNE	CE 50V 1U 20% RLR 5X7 BP
C160, C161, C162, C163	157D-227M-H-LUE	CE 16V 220U 20% RLR
CPG	150F-103K-K-II	CC 50V 0.01U 10% RLT 5x5

<b>Location</b>	<b>Part Number</b>	<b>Description</b>
<b>WAFER</b>		
CN103	2102-020S-003	2P ST. WAFER P=2.0
CN3	2102-120S-003	WAFER 12PIN STRAIGHT P=
<b>WIRE</b>		
H2	7012-6953-1	WIRE-SHIELD 5P P2.0-2.5
H1	7012-6954-1	WIRE-CONN ASSY 7P-6P
<b>JACK</b>		
J100	2113-1739-0	RCA JACK 4PIN W/SW BLACK
<b>TRANSISTOR</b>		
Q100, Q101	4860-2530-K	TR 2SC2240BL RLT
Q102, Q103, Q104, Q105	490K-117Y-K	FET 2SK117Y TO-92 RLT
<b>RESISTOR</b>		
R104, R105, R124, R125	4705-102J-C	RCF 1/4W 1K 5% ATS
R116, R117, R122, R123, R166, R167	4705-104J-C	RCF 1/4W 100K 5% ATS
R188, R189, R190, R191	4705-105J-C	RCF 1/4W 1M 5% ATS
R132, R133	4705-122J-C	RCF 1/4W 1.2K 5% ATS
R152, R153	4705-124J-C	RCF 1/4W 120K 5% ATS
R106, R107	4705-152J-C	RCF 1/4W 1.5K 5% ATS
R154, R155	4705-184J-C	RCF 1/4W 180K 5% ATS
R194, R195	4705-220J-C	RCF 1/4W 22R 5% ATS
R114, R115, R156, R157	4705-221J-C	RCF 1/4W 220R 5% ATS
R158, R159, R192, R193	4705-222J-C	RCF 1/4W 2.2K 5% ATS
R128, R129, R130, R131, R164, R165, R168	4705-223J-C	RCF 1/4W 22K 5% ATS
R100, R101	4705-394J-C	RCF 1/4W 390K 5% ATS
R126, R127, R136, R137	4705-472J-C	RCF 1/4W 4.7K 5% ATS
R112, R113, R118, R119, R186, R187	4705-473J-C	RCF 1/4W 47K 5% ATS
R102, R103	4705-563J-C	RCF 1/4W 56K 5% ATS
R134, R135	4705-681J-C	RCF 1/4W 680R 5% ATS
R110, R111	4705-683J-C	RCF 1/4W 68K 5% ATS
R108, R109	4705-824J-C	RCF 1/4W 820K 5% ATS
R174, R175, R176, R177	4711-103A-2	RMF 1/8W 10K 1% AT
R172, R173	4711-362A-2	RMF 1/8W 3.6K 1% AT
R182, R183	4711-470A-2	RMF 1/8W 47R 1% AT
R170, R171	4711-473A-2	RMF 1/8W 47K 1% AT
R180, R181	4711-512A-2	RMF 1/8W 5.1K 1% AT
R178, R179	4711-562A-2	RMF 1/8W 5.6K 1% AT
R184, R185	4711-563A-2	RMF 1/8W 56K 1% AT
<b>IC</b>		
U100, U101, U102, U104	3132-2651-0	IC NJM2082L DUAL OP
U105	3131-8400-0	IC NJM2068L JRC
<b>VR/SVR</b>		
VR100	4750-6096-0	VR RK16312A 10KAX2
VR101, VR102	4750-6106-0	VR RK16312A 20KBX2
VR103	4750-6116-0	VR RK16312A 5KBX2 L=15MM

<b>Location</b>	<b>Part Number</b>	<b>Description</b>
VR16, VR18	4756-2036-3-03	SVR H3 20K
<b>MISCELLANEOUS</b>		
TH100, TH101	5202-0014-0	THERMISTOR 5KD-5
<b>PHON ASSY</b>		
<b>PC BOARD</b>		
	PCB-V04A1C-PHON	PCB ASSY PHON V04A0C MK2
<b>PCB</b>		
PCB	1725-771A-0000	PCB MASTER/MIC/POWER/
<b>CAPACITOR</b>		
CHPG	150F-103K-5-II	CC 50V 0.01uF 10% RL 5x5
<b>WIRE</b>		
H11	7012-6950-0	CONN WIRE ASSY 3PIN
<b>JACK</b>		
J400	2113-1955-0	PHONE JACK ST 6.35MM
<b>PWR ASSY</b>		
<b>PC BOARD</b>		
	PCB-V04A1C-PWR	PCB ASSY PWR V04A0C MK2
<b>PCB</b>		
PCB	1725-771A-0000	PCB MASTER/MIC/POWER/
<b>CAPACITOR</b>		
CPPG	150F-103K-K-II	CC 50V 0.01U 10% RLT 5x5
C700, C701	157E-478M-5-5\$E	CE 25V 4700U 20% RL
C702, C703	150F-104K-K-II	CC 50V 0.1U 10% RLT 5x5
C704, C705	157D-108M-K-S5E	CE 16V 1000U RLT 10X16 R
C706, C707	157E-107M-H-KUE	CE 25V 100U 20% RLR 6X11
C708, C709	157E-477M-K-SXE	CE 25V 470U 20% RLT 10X1
<b>WAFER</b>		
CN12	2102-040S-003	WAFER 4P P2.0 STRAIGHT
CN9	2102-060S-003	6 PIN WF
<b>DIODE</b>		
D700, D701	4840-2080-0	DIODE 1SR139-400
<b>JACK</b>		
J700	2113-3081-0	DC POWER JACK
<b>TRANSISTOR</b>		
Q700	4852-236Y-K	TR 2SC2236 NPN TOSHIBAHF

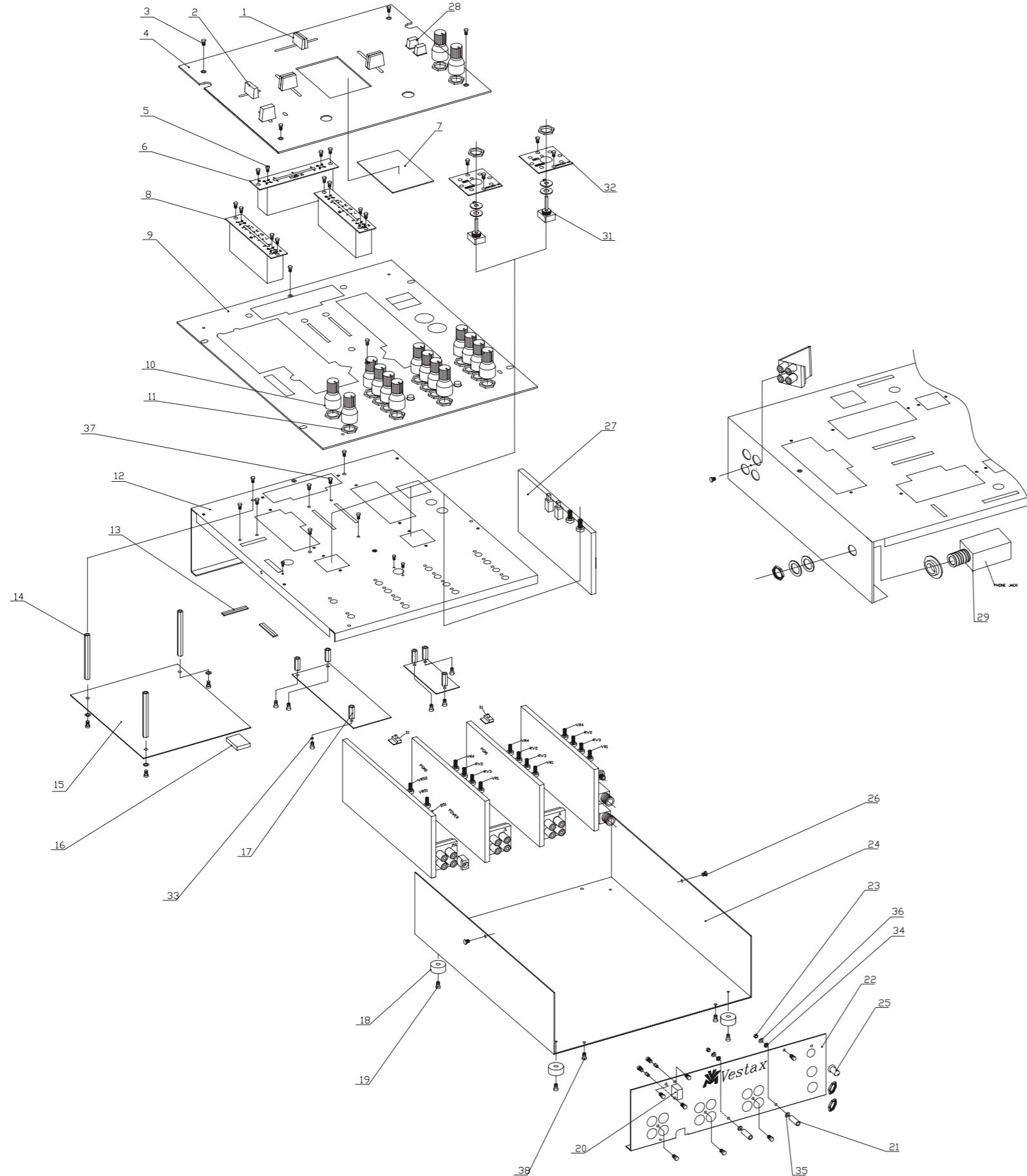


<b>Location</b>	<b>Part Number</b>	<b>Description</b>
Q701	485A-966Y-K	TR 2SA966 PNP TOSHIBA HFE
<b>RESISTOR</b>		
R700	4708-4R7J-2	RCF 1W 4.7R 5% AT
R701	4705-4R7J-C	RCF 1/4W 4.7R 5% ATS
R702, R703	4705-223J-C	RCF 1/4W 22K 5% ATS
<b>SWITCH</b>		
SW700	5200-3665-0	POWER SWITCH TV5
<b>IC</b>		
U700	3130-7650-0	IC 7810 +10V VOLTAGE
U701	3132-2141-0	IC 7910 -10V REGULATOR
<b>HEATSINK</b>		
U700, U701	5400-9130-0	HEAT SINK FOR 7805 2438-
<b>SCREW</b>		
SW700	2900-3006-3000	MS SCREW M3X6 BLACK
U700, U701	2954-2606-3000	SCREW BH 2.6X6 BLACK
U700, U701	2954-3008-0000	TAPPING 3X8MM B-TITE
<b>MISCELLANEOUS</b>		
SW700	4135-0271-0	BRASS TUBE 6XM3X12MM
<b>SEND ASSY</b>		
<b>PC BOARD</b>		
	PCB-V04A1C-SEND	PCB ASSY SEND V04A0C MK2
<b>PCB</b>		
PCB	1725-772A-0000	PCB SEND/RECEIVE BOARD
<b>CAPACITOR</b>		
C600, C601, C602, C603,	157D-226M-H-LMNE	CE 16V 22U 20% RLR 6.3X7
C604, C605	150F-331K-K-IE	CC 50V 330P 10% RLT 5X3
C606, C607	157D-226M-H-LMNE	CE 16V 22U 20% RLR 6.3X7
C608, C609	150F-470J-K-IF	CC 50V 47P 5% RLT 5x3.5
C610, C611, C630, C631	157D-106M-H-GMNE	CE 16V 10U 20% RLR 4X7
C632, C633	150F-102K-K-IE	CC 50V 1000P 10% RLT 5X3
C634, C635	157D-226M-H-LMNE	CE 16V 22U 20% RLR 6.3X7
C650, C651	157D-107M-H-LME	CE 16V 100UF 20% RLR 6.5
CSG	150F-103K-5-II	CC 50V 0.01uF 10% RL 5x5
<b>WAFER</b>		
CN13	2102-060S-003	6 PIN WF
CN7	2102-110S-003	11P ST WAFER P=2.0
<b>WIRE</b>		
H13	7012-6947-0	CONN WIRE ASSY 6PIN

<b>Location</b>	<b>Part Number</b>	<b>Description</b>
<b>JACK</b>		
J600	2113-1739-0	RCA JACK 4PIN W/SW BLACK
<b>RESISTOR</b>		
R600, R601, R602, R603,	4705-104J-C	RCF 1/4W 100K 5% ATS
R604, R605, R606, R607	4705-333J-C	RCF 1/4W 33K 5% ATS
R608, R609	4705-123J-C	RCF 1/4W 12K 5% ATS
R610, R611	4705-472J-C	RCF 1/4W 4.7K 5% ATS
R612, R613	4705-272J-C	RCF 1/4W 2.7K 5% ATS
R614, R615, R616, R617,	4705-223J-C	RCF 1/4W 22K 5% ATS
R618, R619	4705-221J-C	RCF 1/4W 220R 5% ATS
R620, R621, R630, R631	4705-473J-C	RCF 1/4W 47K 5% ATS
R632, R633	4705-222J-C	RCF 1/4W 2.2K 5% ATS
R634, R635	4705-752J-C	RCF 1/4W 7.5K 5% ATS
R636, R637	4705-223J-C	RCF 1/4W 22K 5% ATS
R640, R641		
<b>SWITCH</b>		
SW600, SW601	5200-3514-0	PUSH SW.ALPS SPUN19
<b>IC</b>		
U600, U601, U602	3130-3660-0	IC NJM2068D DUAL LN-OP
<b>VR</b>		
VR600	4750-6096-0	VR RK16312A 10KAX2
VR601	4750-6106-0	VR RK16312A 20KBX2
<b>MISCELLANEOUS</b>		
BK601, BK602	4132-6221-0	BRACKET, GROUNDING
<b>SW ASSY</b>		
<b>PC BOARD</b>		
	PCB-V04A1C-SW	PCB ASSY SW V04A0C MK2
<b>PCB</b>		
PCB	1725-771A-0000	PCB MASTER/MIC/POWER/
<b>WIRE</b>		
H4	7012-6946-0	CONN WIRE ASSY 4PIN
H5	7012-7012-1	WIRE-CONN 4P P2.0-2.5
<b>SWITCH</b>		
SW200	5200-3513-0	TOGGLE SW LBC22B17K

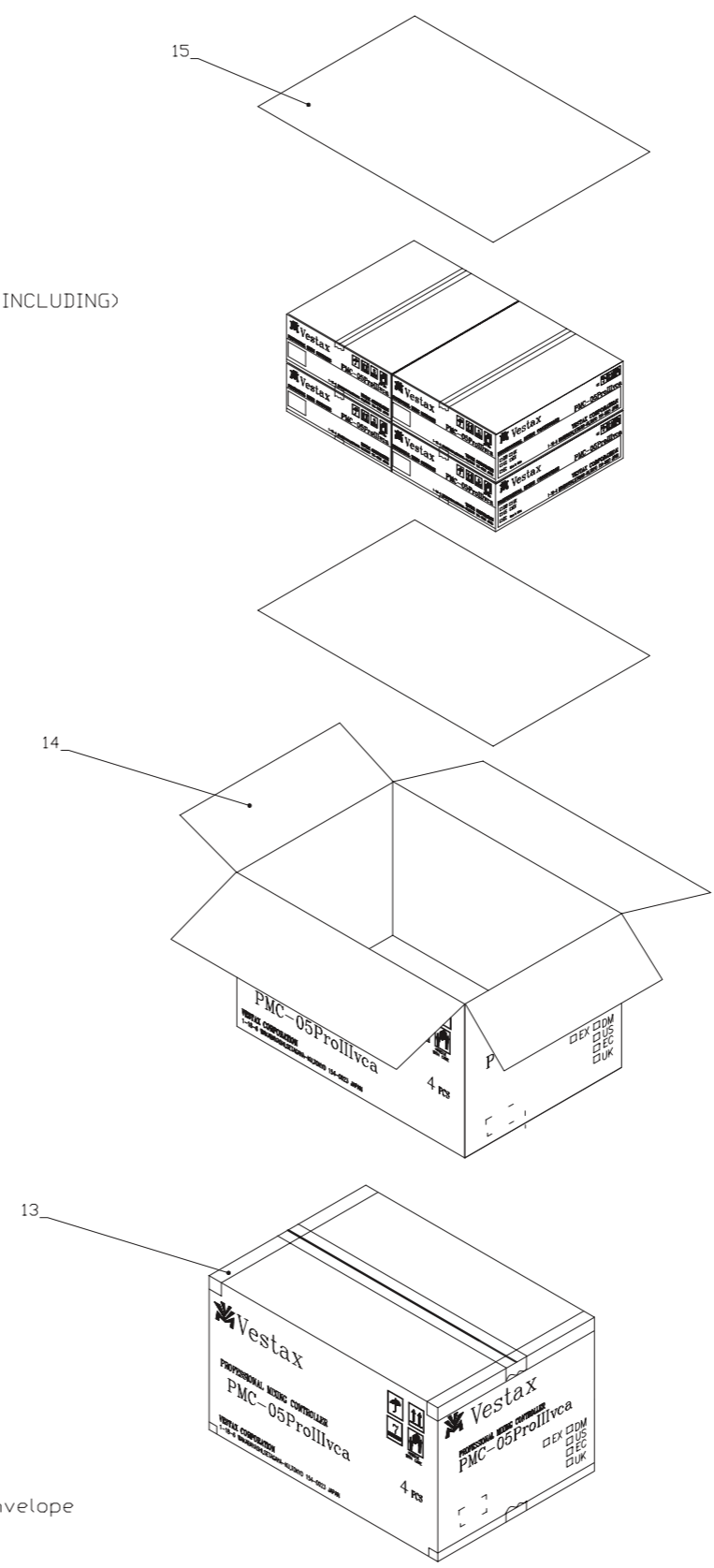
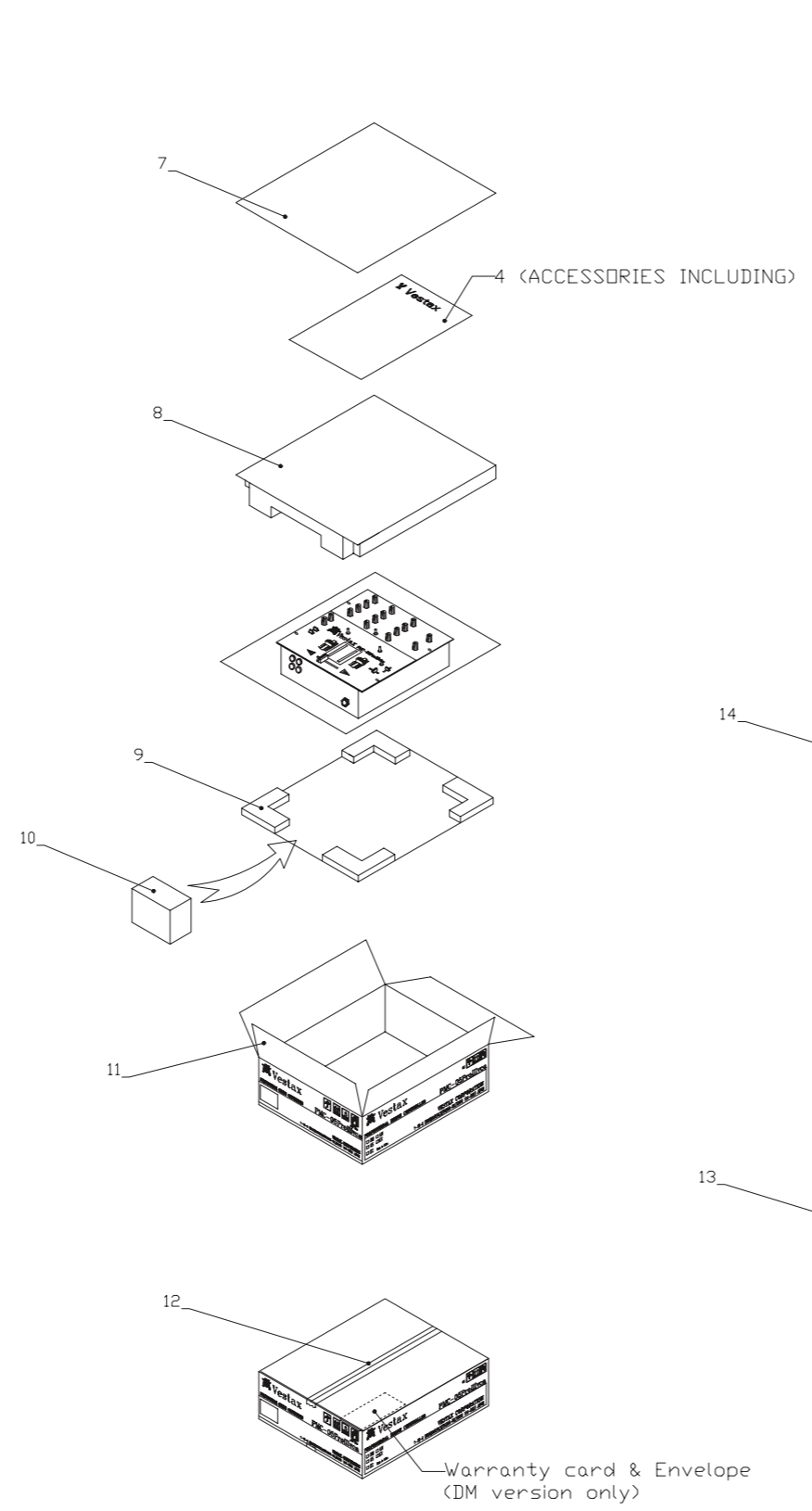
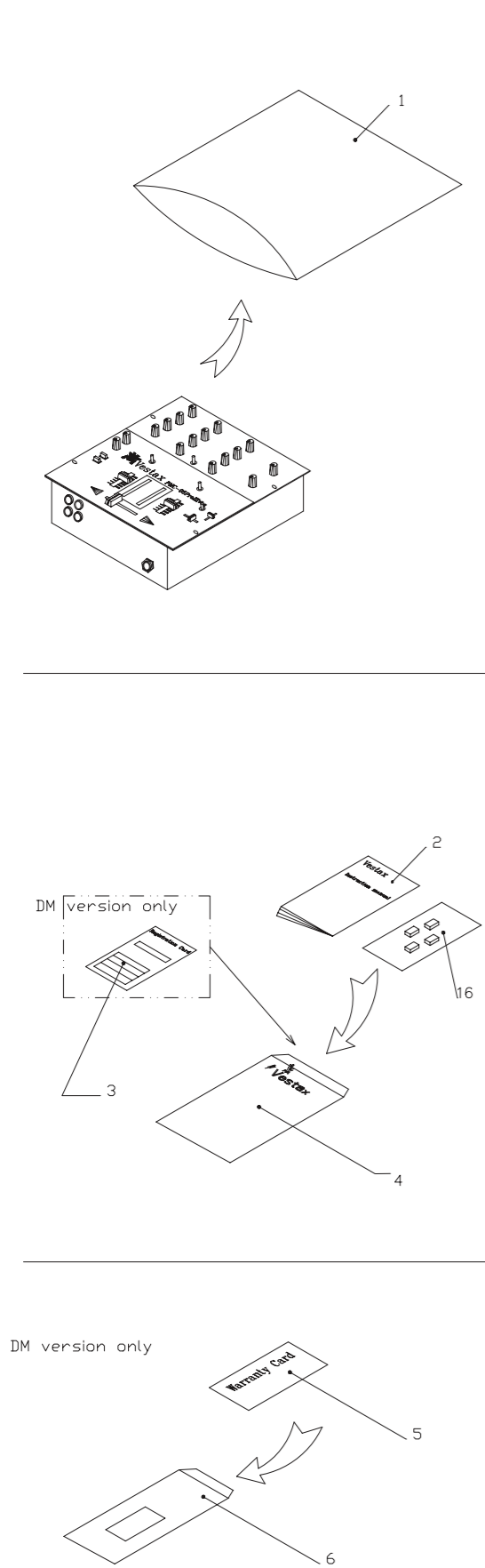
# EXPLODED VIEW • PARTS LIST

## Unit Assy



38	ST SCREW S-TITE 3X6 (BLK)	2944-3006-3000	
37			
36	SPRING WASHER M3X0.9X5.5	2607-3009-0550	2
35	METAL WASHER M3X0.5X8 NI	2600-3005-0804	2
34	I/T WASHER M3X0.5X6.4 WZ	2606-3005-0642	2
33			
32	IS PLATE	4134-0193-0	2
31	TOGGLE SW AS-610F-XX-A02	5200-4872-0	2
30		2446-9801-0	3
29	PHONE JACK		1
28	KNOB	2440-6601-0	2
27	SEND PCB		1
26	FLAT HEAD SCREW	2901-2604-3001	2
25	ROTARY KNOB	2440-6751-0	1
24	BOTTOM COVER	1403-6592-0	1
23	M3 NUT	2640-3022-0542	2
22	REAR PANEL	1403-6572-2	1
21	GND TERMINAL	4132-2371-0	2
20	SWITCH PUSH KNOB	2440-6601-1	2
19	ST SCREW S-TITE 3X8 (BLK)	2944-3008-3000	4
18	RUBBER FOOT	4152-5861-1	4
17	BRASS TUBE 4.8X2.6X12MM	4152-4551-0	
16	RUBBER PAD 12x7x6mm	4153-1610-0	1
15	DSP PCB ASSY		1
14	BRASS TUBE 6X3X60MM	4135-2131-0	3
13	FELT 17X40MM	1454-1701-0	3
12	CHASSIS	1403-6582-1	1
11	M7 NUT BLK	2640-7020-1103	15
10	ROTARY KNOB ROLLETE	2446-6701-0	14
9	SUB PANEL	1403-6602-0	1
8	IF-05 PCV PLATE	4134-0208-0	2
7	LENS	3716-6010-0	1
6	CF-05 PCV PLATE	4134-0209-0	1
5	SCREW M3X5 FLAT HEAD BLK	2901-3005-3000	6
4	TDP PANEL	1403-661A-0	1
3	ST SCREW M2.6X8 FLAT HEAD BLK	2941-2608-3000	
2	FADER KNOB W/ TEXTURE	2444-5101-1	3
1	FADER KNOB INK-FILL WHITE	2444-5201-1	3
ITEM	DESCRIPTION	PART NO.	QTY.

Packing Assy



NO.	PARTS NO.	DESCRIPTION	QTY
1	1497-4192-0	POLYBAG 18"X18"	1
2	4301-7102-2	INSTRUCTION MANUAL JPN	1
	4301-7103-2	INSTRUCTION MANUAL ENG	1
3	3030-1106-6	USER REGISTRATION CARD	1
4	3050-0711-1	ENVELOPE FOR MANUAL	1
5	3030-1105-1	WARRANTY CARD	1
6	3050-3121-1	ENVELOPE OF WARRANTY CARD	1
7	1450-6630-0	G/B REINFORCE	1
8	1493-0181-2	UPPER CUSHION	1
9	1493-0191-1	LOWER CUSHION	1
10		ADEPTOR W/ WHITE BOX	1
11	1480-3505-0	GIFT BOX	1
12	9500-0070-0	2" PP TAPE I SHAPE FOR G/B	
13	9500-0070-0	2" PP TAPE H SHAPE FOR CARTON	
14	1436-1105-0-2	SHIPPING CARTON	0.25
15	1450-6450-0	CARTON SHEET	0.5
16	4157-0941-0	CLS rubber	4

# Vestax Corporation

**Vestax Corporation**

1-18-6 Wakabayashi, Setagaya-ku, Tokyo 154-0023 Japan  
Phone 03-3412-7011 Fax 03-3412-7013  
Web : [www.vestax.com](http://www.vestax.com)

**Vestax (Europe) Ltd.**

Unit 5 Riverway Industrial Park Alton Hampshire GU34 2QL England, U.K.  
Phone (0)1420-83000 Fax (0)1420-80040  
Web : [www.vestax.co.uk](http://www.vestax.co.uk)

**Vestax Europe Technical Support**

Rheinstr.213 D-53332 Bornheim Germany  
Phone 49(0)2222-95-23-72 Fax 49(0)2222-95-23-74