

VESTAX

SERVICE NOTE

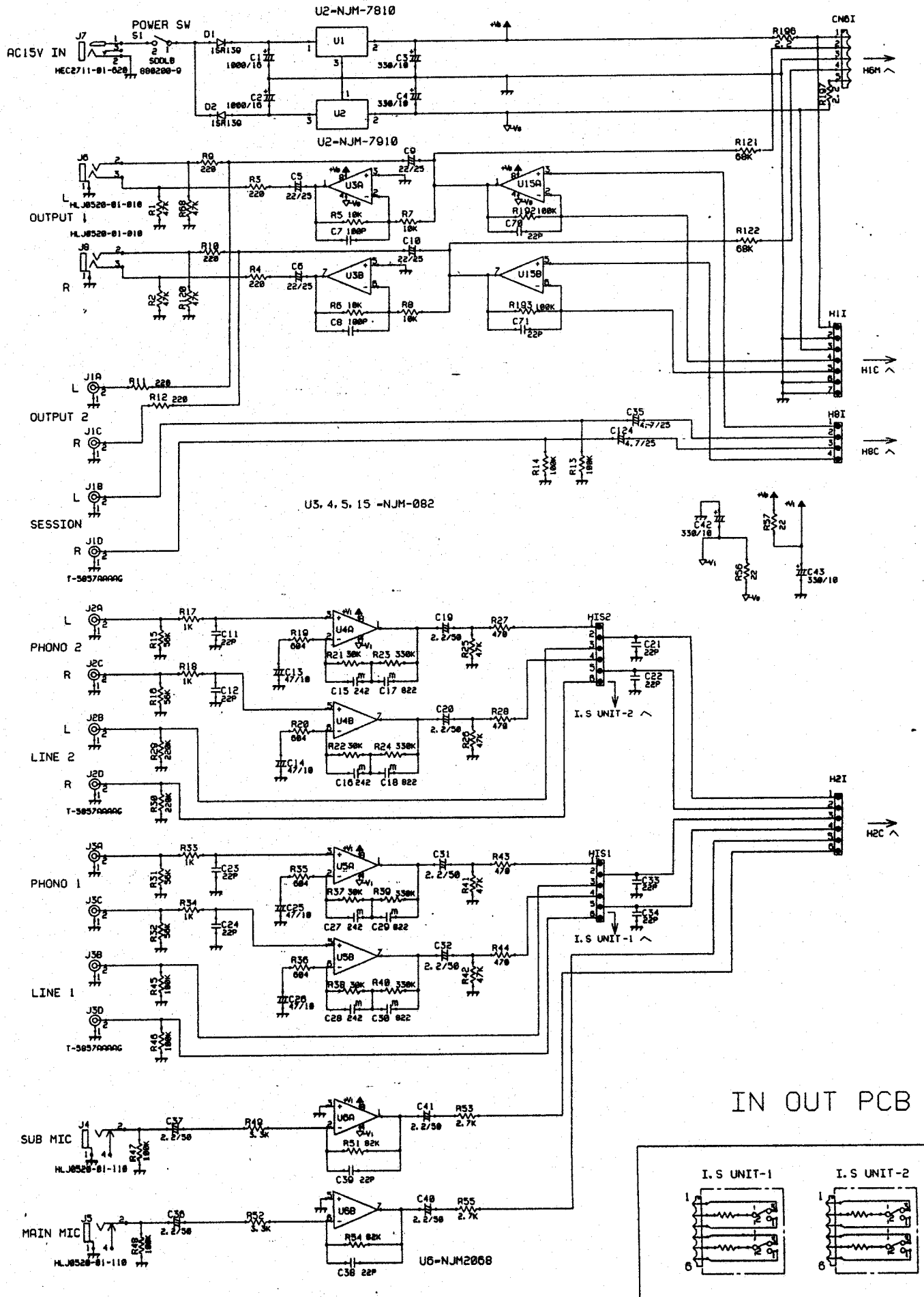
MODEL: PMC-07 PRO

1.SCHEMATIC DIAGRAM

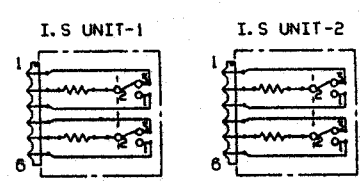
2.PCB ASSEMBLY

Vestax Corporation Service Department

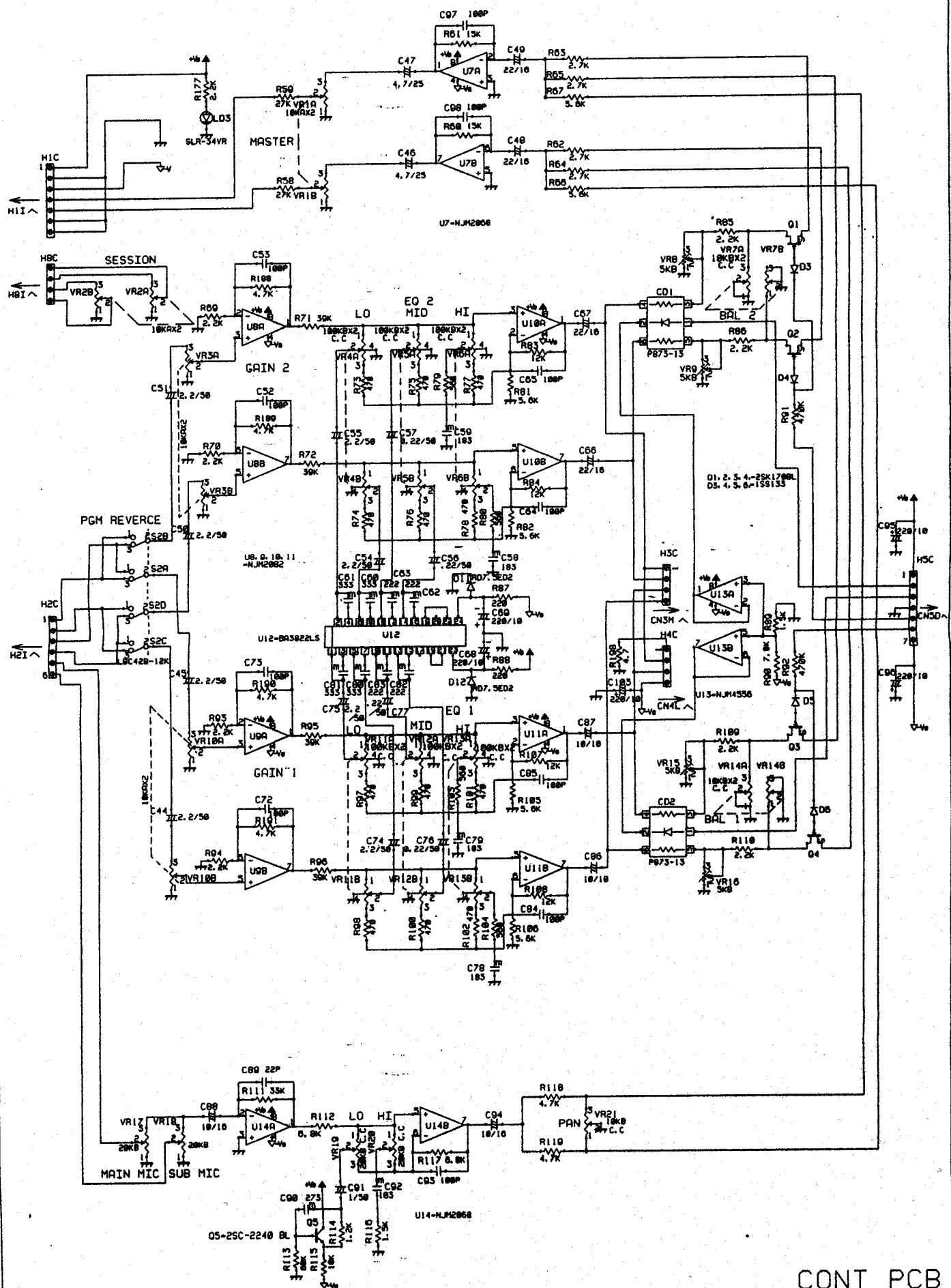
PMC-07PRO SCHEMATIC DIAGRAM (1)



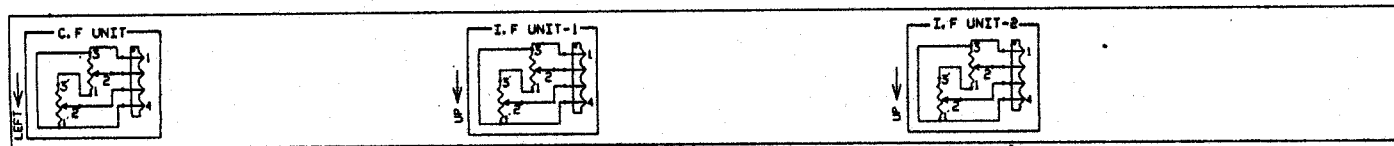
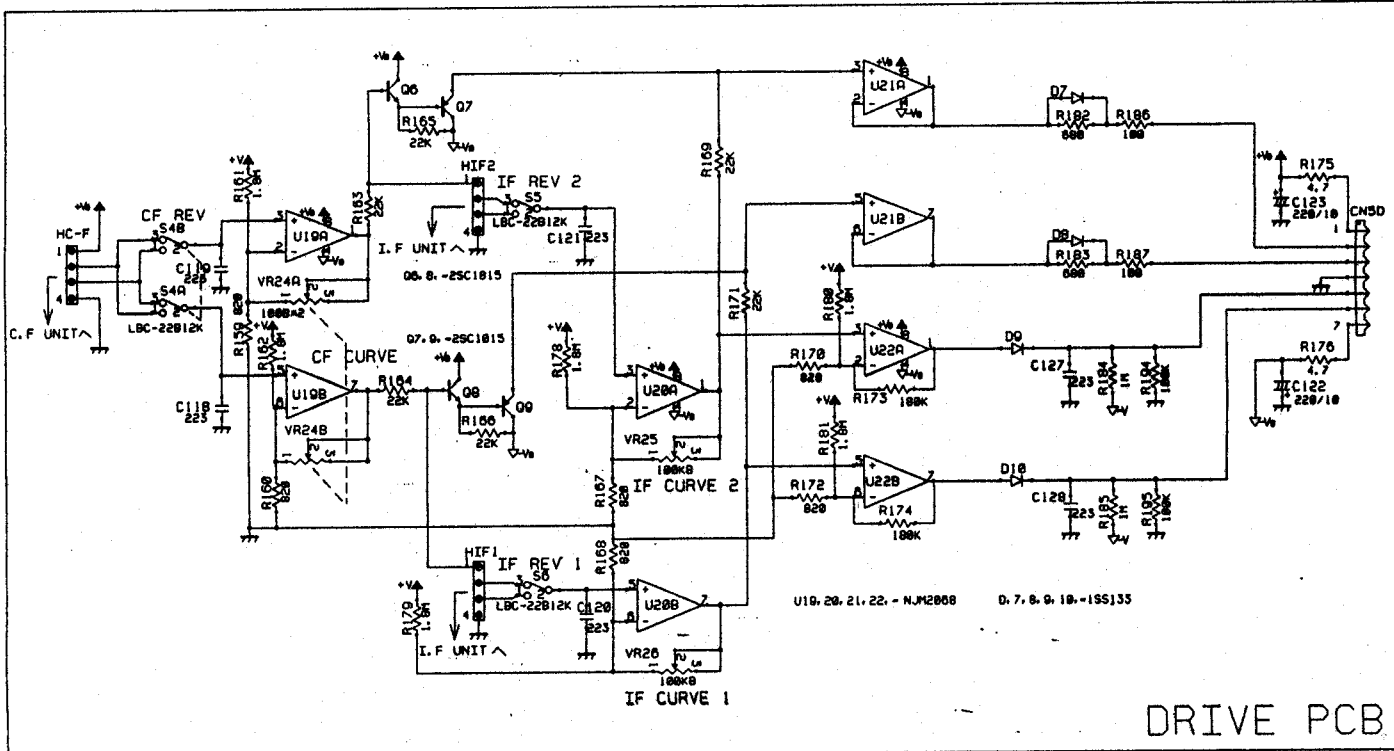
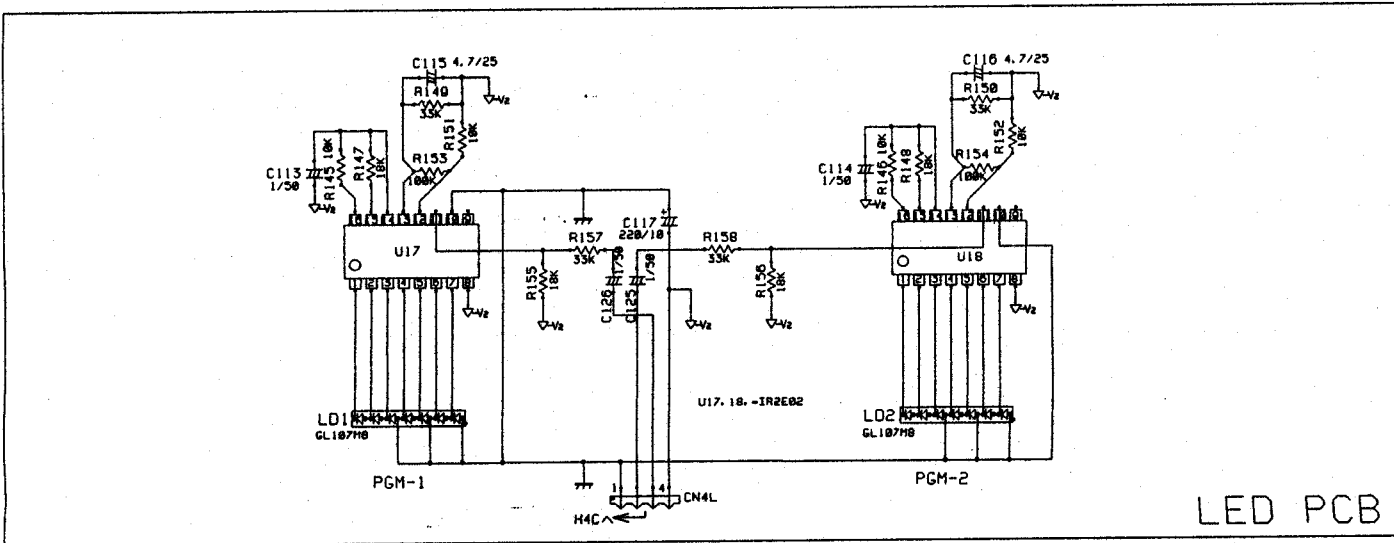
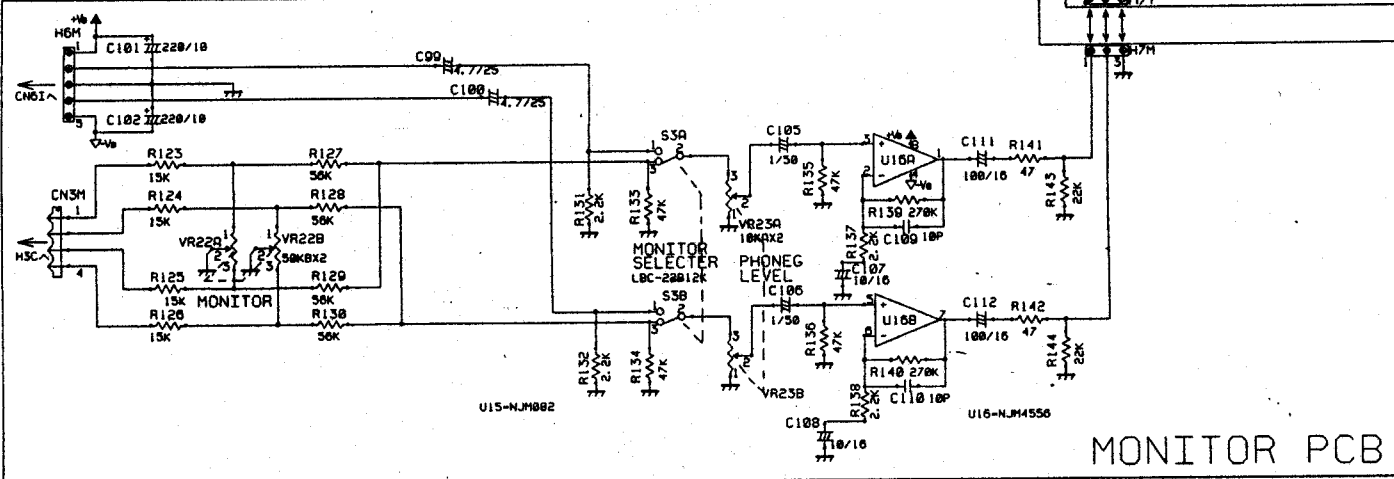
IN OUT PCB

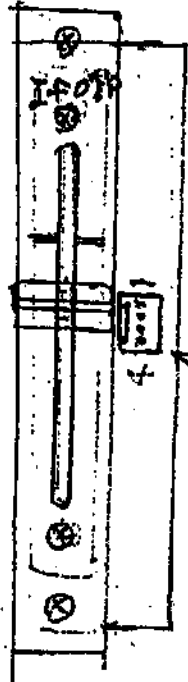
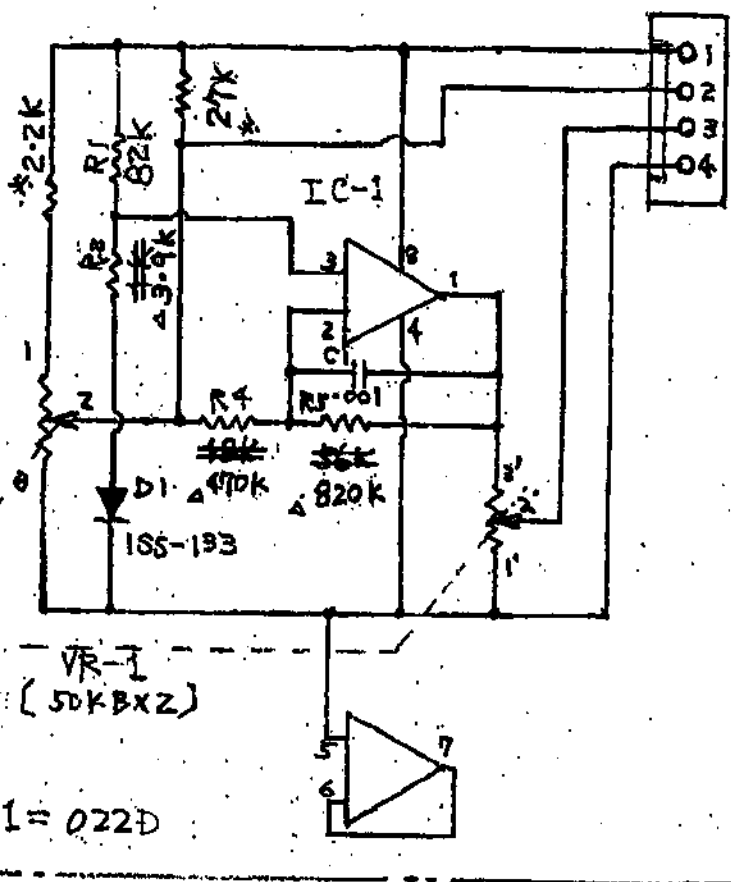


PMC-07PRO SCHEMATIC DIAGRAM(2)

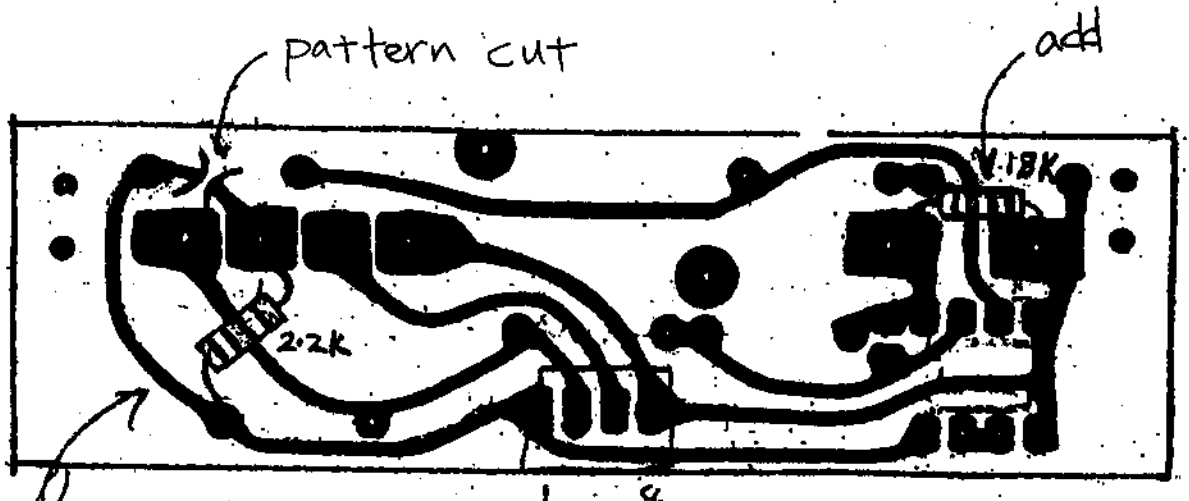
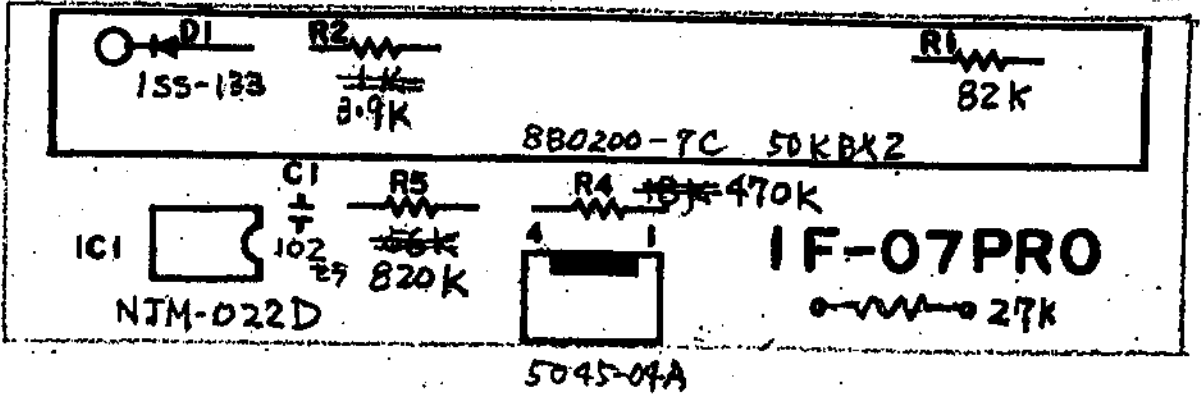


PMC-07PRO SCHEMATIC DIAGRAM(3)





* change
 4 add } 11.4.6



SYMBOL#	PARTS NAME	PCB	DESCRIPTION	BLAND
C 103	E.CAP	CONT	10V 220uF	
CD 1	PHOTO-COUPLER	CONT	P873-13	
CD 2	PHOTO-COUPLER	CONT	P873-13	
D 3	DIODE	CONT	1SS133	ROHM
D 4	DIODE	CONT	1SS133	ROHM
D 5	DIODE	CONT	1SS133	ROHM
D 6	DIODE	CONT	1SS133	ROHM
D 11	Z.DIODE	CONT	RD7.5BE2	NEC
D 12	Z.DIODE	CONT	RD7.5BE2	NEC
LD 3	LED	CONT	SLR342VR	ROHM
Q 1	FET	CONT	2SK170BL	TOSHIBA
Q 2	FET	CONT	2SK170BL	TOSHIBA
Q 3	FET	CONT	2SK170BL	TOSHIBA
Q 4	FET	CONT	2SK170BL	TOSHIBA
Q 5	TRANSISTOR	CONT	2SC2240BL	TOSHIBA
R 58	RESISTOR	CONT	1/4W 27K OHM	
R 59	RESISTOR	CONT	1/4W 27K OHM	
R 60	RESISTOR	CONT	1/4W 15K OHM	
R 188	RESISTOR	CONT	1/4W 4.7K OHM	
R 189	RESISTOR	CONT	1/4W 4.7K OHM	
R 190	RESISTOR	CONT	1/4W 4.7K OHM	
R 191	RESISTOR	CONT	1/4W 4.7K OHM	
R 198	RESISTOR	CONT	1/4W 4.7K OHM	
SW 2	SL/SW	CONT	LBC42B12K BLACK	SANSEI
U 7	IC	CONT	NJM2068D	JRC
U 8	IC	CONT	NJM2082D	JRC
U 9	IC	CONT	NJM2082D	JRC
U 10	IC	CONT	NJM2082D	JRC
U 11	IC	CONT	NJM2082D	JRC
U 12	IC	CONT	BA3822LS	ROHM
U 13	IC	CONT	NJM4556D	JRC
U 14	IC	CONT	NJM2068D	JRC
VR 1	SL/VR	CONT	RS20112 10KAX2 L=20mm	ALPS
VR 2	R/VR	CONT	RK09L12D0 10KAX2 L=15mm	ALPS
VR 3	R/VR	CONT	RK09L12D0 10KAX2 L=15mm	ALPS
VR 4	SL/VR	CONT	RS20112 100KBX2 CC,CT L=15mm	ALPS
VR 5	SL/VR	CONT	RS20112 100KBX2 CC,CT L=15mm	ALPS
VR 6	SL/VR	CONT	RS20112 100KBX2 CC,CT L=15mm	ALPS
VR 7	SL/VR	CONT	RS20112 10KBX2 CC L=20mm	ALPS
VR 8	SEMI-FIXED VR	CONT	RV6 FMNK 5KB	
VR 9	SEMI-FIXED VR	CONT	RV6 FMNK 5KB	
VR 10	R/VR	CONT	RK09L12D0 10KAX2 L=15mm	ALPS
VR 11	SL/VR	CONT	RS20112 100KBX2 CC,CT L=15mm	ALPS
VR 12	SL/VR	CONT	RS20112 100KBX2 CC,CT L=15mm	ALPS
VR 13	SL/VR	CONT	RS20112 100KBX2 CC,CT L=15mm	ALPS
VR 14	SL/VR	CONT	RS20112 10KBX2 CC L=20mm	ALPS

3/9

R 95	RESISTOR	CONT	1/4W 39K OHM	
------	----------	------	--------------	--

2/9

PMC-07P

SYMBOL#	PARTS NAME	PCB	DESCRIPTION	BLAND
VR 15	SEMI-FIXED VR	CONT	RV6 FMNK 5KB	
VR 16	SEMI-FIXED VR	CONT	RV6 FMNK 5KB	
VR 17	R/VR	CONT	RK09L1140 20KBX1 L=15mm	ALPS
VR 18	R/VR	CONT	RK09L1140 20KBX1 L=15mm	ALPS
VR 19	SL/VR	CONT	RS20111 20KBX1 CC L=15mm	ALPS
VR 20	SL/VR	CONT	RS20111 20KBX1 CC L=15mm	ALPS
VR 21	SL/VR	CONT	RS20111 10KBX1 CC L=20mm	ALPS
C 118	C.CAP	DRIVE	223	
C 119	C.CAP	DRIVE	223	
C 120	C.CAP	DRIVE	223	
C 121	C.CAP	DRIVE	223	
C 122	E.CAP	DRIVE	10V 220uF	
C 123	E.CAP	DRIVE	10V 220uF	
C 127	C.CAP	DRIVE	223	
C 128	C.CAP	DRIVE	223	
D 7	DIODE	DRIVE	1SS133	ROHM
D 8	DIODE	DRIVE	1SS133	ROHM
D 9	DIODE	DRIVE	1SS133	ROHM
D 10	DIODE	DRIVE	1SS133	ROHM
Q 6	TRANSISTOR	DRIVE	2SC1815GR	TOSHIBA
Q 7	TRANSISTOR	DRIVE	2SC1015GR	TOSHIBA
Q 8	TRANSISTOR	DRIVE	2SC1815GR	TOSHIBA
Q 9	TRANSISTOR	DRIVE	2SC1015GR	TOSHIBA
R 159	RESISTOR	DRIVE	1/4W 820 OHM	
R 160	RESISTOR	DRIVE	1/4W 820 OHM	
R 161	RESISTOR	DRIVE	1/4W 1.8M OHM	
R 162	RESISTOR	DRIVE	1/4W 1.8M OHM	

PMC-07P

SYMBOL#	PARTS NAME	PCB	DESCRIPTION	BLAND
SW 4	SL/SW	DRIVE	LBC22B12K BLACK	SANSEI
SW 5	SL/SW	DRIVE	LBC22B12K BLACK	SANSEI
SW 6	SL/SW	DRIVE	LBC22B12K BLACK	SANSEI
U 19	IC	DRIVE	NJM2068D	JRC
U 20	IC	DRIVE	NJM2068D	JRC
U 21	IC	DRIVE	NJM2068D	JRC
U 22	IC	DRIVE	NJM2068D	JRC
VR 24	R/VR	DRIVE	RK09L12D0 100KBX2 L=15mm	ALPS
VR 25	R/VR	DRIVE	RK09L1140 100KBX1 L=15mm	ALPS
VR 26	R/VR	DRIVE	RK09L1140 100KBX1 L=15mm	ALPS
C 1	C.CAP	IF-07P	102	
D 1	DIODE	IF-07P	1SS133	ROHM
IC 1	IC	IF-07P	NJM022D	JRC
R 1	RESISTOR	IF-07P	1/4W 82K OHM	
R 2	RESISTOR	IF-07P	1/4W 3.9K OHM	
R 4	RESISTOR	IF-07P	1/4W 470K OHM	
R 5	RESISTOR	IF-07P	1/4W 820K OHM	
	RESISTOR	IF-07P	1/4W 27K OHM	
	RESISTOR	IF-07P	1/4W 2.2K OHM	
	RESISTOR	IF-07P	1/4W 18K OHM	
	SL/VR	IF-07P	RS45A12 50KBX2 L=15mm	ALPS
	SL/VR	IF-07P	RS45A12 50KBX2 L=15mm	ALPS
	SL/VR	IF-07P	RS45A12 50KBX2 L=15mm	ALPS
C 1	E.CAP	IN/OUT	16V 1000uF	
C 2	E.CAP	IN/OUT	16V 1000uF	

PMC-07P

SYMBOL#	PARTS NAME	PCB	DESCRIPTION	BLAND
C 31	E.CAP	IN/OUT	50V 2.2uF BP	
C 32	E.CAP	IN/OUT	50V 2.2uF BP	
C 33	C.CAP	IN/OUT	22PF	
C 34	C.CAP	IN/OUT	22PF	
C 35	E.CAP	IN/OUT	25V 4.7uF BP	
C 36	E.CAP	IN/OUT	50V 2.2uF BP	
C 37	E.CAP	IN/OUT	50V 2.2uF BP	
C 38	C.CAP	IN/OUT	22PF	
C 39	C.CAP	IN/OUT	22PF	
C 40	E.CAP	IN/OUT	50V 2.2uF BP	
C 41	E.CAP	IN/OUT	50V 2.2uF BP	
C 42	E.CAP	IN/OUT	10V 330uF	
C 43	E.CAP	IN/OUT	10V 330uF	
C 70	C.CAP	IN/OUT	22PF	
C 71	C.CAP	IN/OUT	22PF	
C 124	E.CAP	IN/OUT	25V 4.7uF BP	
D 1	DIODE	IN/OUT	1SR139	ROHM
D 2	DIODE	IN/OUT	1SR139	ROHM
J 1	JACK	IN/OUT	T5857AAAG/4P RCA JACK	EMUDEN
J 2	JACK	IN/OUT	T5857AAAG/4P RCA JACK	EMUDEN
J 3	JACK	IN/OUT	T5857AAAG/4P RCA JACK	EMUDEN
J 4	JACK	IN/OUT	HLJ0520-01-110/MONO JACK	HOSHIDEN
J 5	JACK	IN/OUT	HLJ0520-01-110/MONO JACK	HOSHIDEN
J 6	JACK	IN/OUT	HLJ0520-01-010/STEREO JACK	HOSHIDEN
J 7	JACK	IN/OUT	HEC2711-01-620/AC POWER JACK	HOSHIDEN
J 8	JACK	IN/OUT	HLJ0520-01-010/STEREO JACK	HOSHIDEN
R 1 ₃₀	RESISTOR	IN/OUT	1/4W 47K OHM	
R 57	RESISTOR	IN/OUT	1/4W 22 OHM	
R 120	RESISTOR	IN/OUT	1/4W 47K OHM	
R 121	RESISTOR	IN/OUT	1/4W 68K OHM	
R 122	RESISTOR	IN/OUT	1/4W 68K OHM	
R 192	RESISTOR	IN/OUT	1/4W 100K OHM	
R 193	RESISTOR	IN/OUT	1/4W 100K OHM	
R 196	RESISTOR	IN/OUT	1/4W 2.2K OHM	
R 197	RESISTOR	IN/OUT	1/4W 2.2K OHM	
SW 1	P/SW	IN/OUT	SDDL B	ALPS
U 1	REGULATOR	IN/OUT	TA7810S	TOSHIBA
U 2	REGULATOR	IN/OUT	TA7910S	TOSHIBA
U 3	IC	IN/OUT	NJM082D	JRC
U 4	IC	IN/OUT	NJM082D	JRC
U 5	IC	IN/OUT	NJM082D	JRC
U 6	IC	IN/OUT	NJM2068D	JRC
U 15	IC	IN/OUT	NJM082D	JRC
IS 1	SL/SW	IS	LBC22B17K BLACK	SANSEI
IS 2	SL/SW	IS	LBC22B17K BLACK	SANSEI
C 113	E.CAP	LED	50V 1uF BP	
C 114	E.CAP	LED	50V 1uF BP	
C 115	E.CAP	LED	25V 4.7uF BP	
C 116	E.CAP	LED	25V 4.7uF BP	
C 117	E.CAP	LED	10V 220uF	
C 125	E.CAP	LED	50V 1uF BP	
C 126	E.CAP	LED	50V 1uF BP	

PMC-07P

SYMBOL#	PARTS NAME	PCB	DESCRIPTION	BLAND
LD 1	LED	LED	GL107M8	SHARP
LD 2	LED	LED	GL107M8	SHARP
R 145	RESISTOR	LED	1/4W 10K OHM	
R 146	RESISTOR	LED	1/4W 10K OHM	
R 147	RESISTOR	LED	1/4W 18K OHM	
R 148	RESISTOR	LED	1/4W 18K OHM	
R 149	RESISTOR	LED	1/4W 33K OHM	
R 150	RESISTOR	LED	1/4W 33K OHM	
R 151	RESISTOR	LED	1/4W 10K OHM	
R 152	RESISTOR	LED	1/4W 10K OHM	
R 153	RESISTOR	LED	1/4W 100K OHM	
R 154	RESISTOR	LED	1/4W 100K OHM	
R 155	RESISTOR	LED	1/4W 18K OHM	
R 156	RESISTOR	LED	1/4W 18K OHM	
R 157	RESISTOR	LED	1/4W 33K OHM	
R 158	RESISTOR	LED	1/4W 33K OHM	
U 17	IC	LED	IR2E02	SHARP
U 18	IC	LED	IR2E02	SHARP
C 22	COND	MONITOR	25V 4.7uF BP	

PMC-07P

SYMBOL#	PARTS NAME	PCB	DESCRIPTION	BLAND
U 16	IC	MONITOR	NJM4556D	JRC
VR 22	SL/VR	MONITOR	RS20112A 50KBX2 L=20mm	ALPS
VR 23	SL/VR	MONITOR	RS20112 10KAX2 L=20mm	ALPS
J 9	JACK	PHONES	HLJ0520-01-010/STEREO JACK	HOSHIDEN
S 1	RESISTOR		1/4W 470 OHM	
S 2	RESISTOR		1/4W 470 OHM	
S 3	RESISTOR		1/4W 470 OHM	
S 4	RESISTOR		1/4W 470 OHM	
			GROUND TERMINAL T-10	
			LED WINDOW/PMC-05Pro	
			PACKING CASE/PMC-07Pro	
			CUSHION (L)/PMC-07Pro	
			CUSHION (R)/PMC-07Pro	

R 144	RESISTOR	MONITOR	1/4W 10K OHM	
SW 3	SL/SW	MONITOR	LBC22B12K BLACK	SANSEI

